

ECHO-MAGNETIC SWITCH

MS-168AR

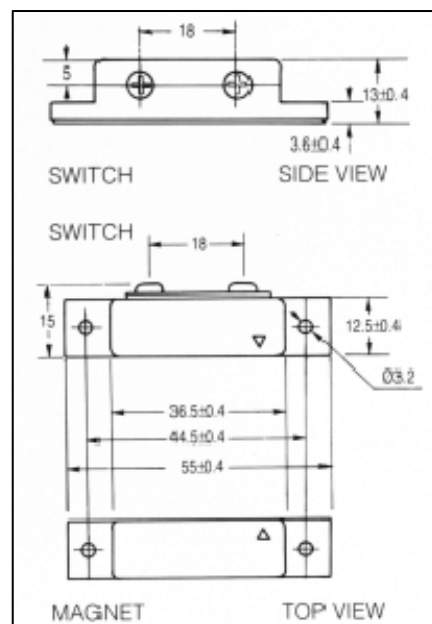


FEATURES:

- Normally- open
- Reed-switch sensing
- Bulk packed
- Operating temperature -20°C ~ $+70^{\circ}\text{C}$
- Storage temperature -30°C ~ $+70^{\circ}\text{C}$
- Operating humidity 20%~90%
- Storage humidity 20%~90%

DIMENSIONS: (mm)

MS-168AR



SPECIFICATIONS:

	MS-168AR
Contact Rating	10W(20V 500mA)
Max.Switching Current	500mA
Max.Switching Voltage	200VDC
Min.Breakdown Voltage	250VDC
Contact Resistance	200m ohms
Insulation Resistance	100M ohms
Electrical Life(Resistive load)	6×10^5 (DC20V 500mA)
Actuating Distance	10mm
Terminal Screw	M3×6mm
Case Materials	ABS RESIN