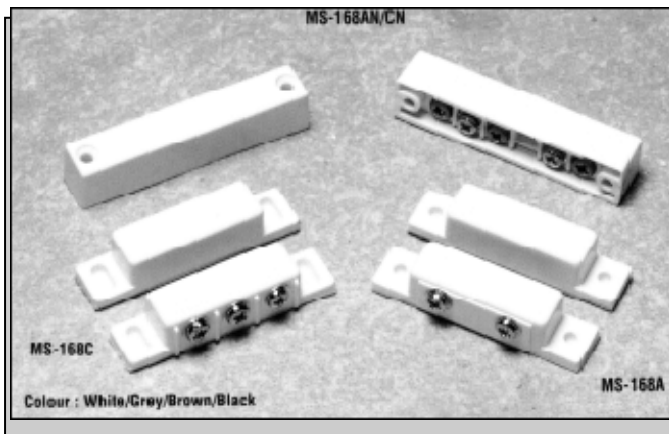


ECHO-MAGNETIC SWITCH

MS168 SERIES

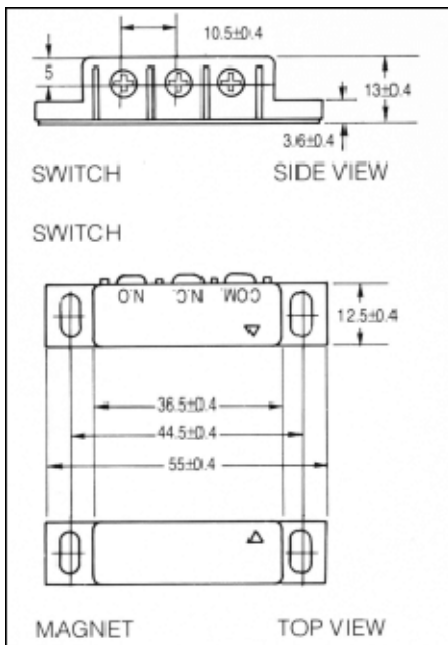


FEATURES:

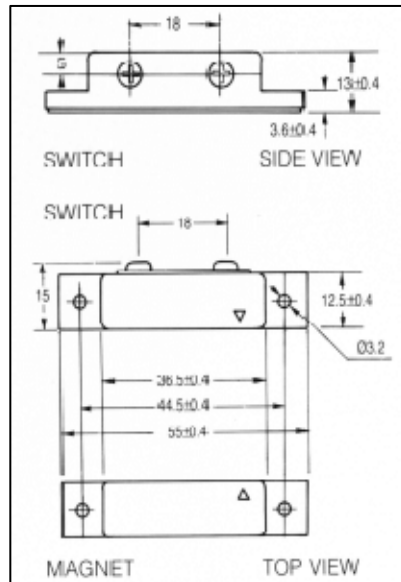
- Normally- open(A/AN)
- Normally- open & closed(C/CN)
- Reed-switch sensing
- Card or bulk packed
- Operating temperature $-20^{\circ}\text{C} \rightarrow +70^{\circ}\text{C}$
- Storage temperature $-30^{\circ}\text{C} \rightarrow +70^{\circ}\text{C}$
- Operating humidity 20%~90%
- Storage humidity 20%~90%
-

DIMENSIONS:

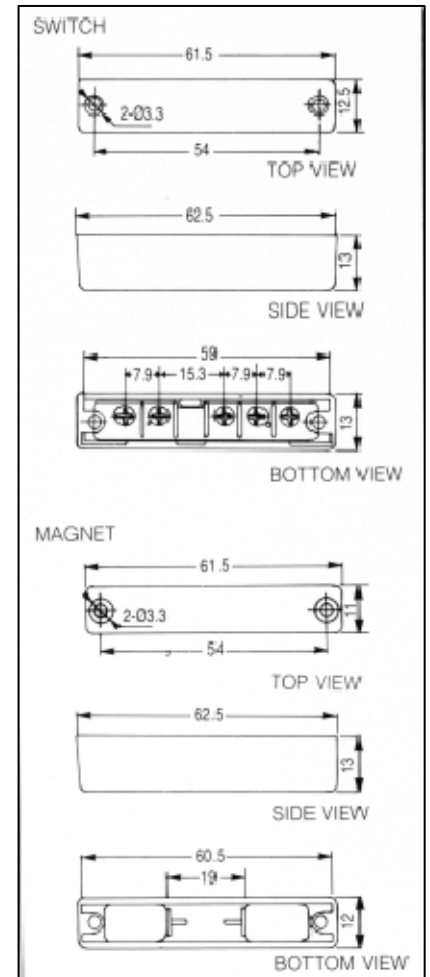
MS-168C



MS-168A



MS-168AN/CN



All dimensions are in mm

SPECIFICATIONS:

	MS-168A/AN	MS-168C/CN
Contact Rating	10W(20V 500mA)	3W(12V 250mA)
Max.Switching Current	500mA	250mA
Max.Switching Voltage	200VDC	175VDC
Min.Breakdown Voltage	250VDC	200VDC
Contact Resistance	200m ohms	200m ohms
Insulation Resistance	100M ohms	100M ohms
Electrical Life(Resistive load)	6×10^5 (DC20V 500mA)	2×10^6 (DC12V 250mA)
Actuating Distance	10mm	10mm
Terminal Screw	M3×6mm	M3×6mm
Case Materials	ABS RESIN	ABS RESIN