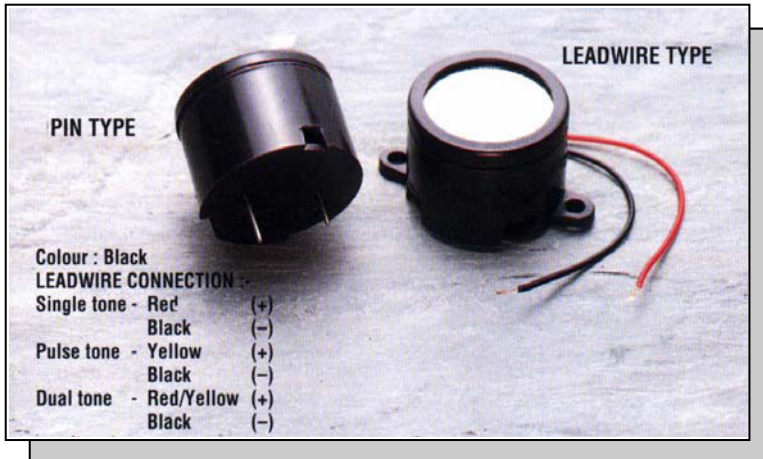


# ECHO-MAGNETIC BUZZER

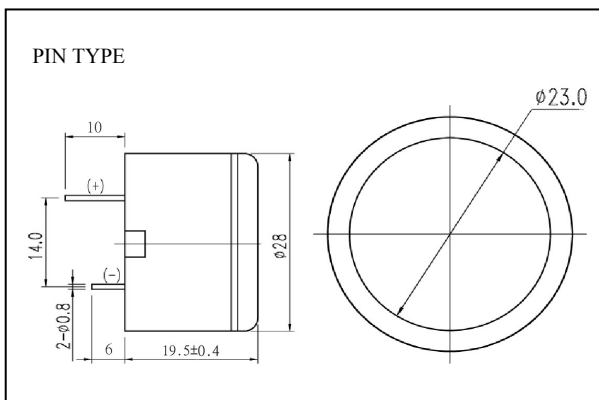
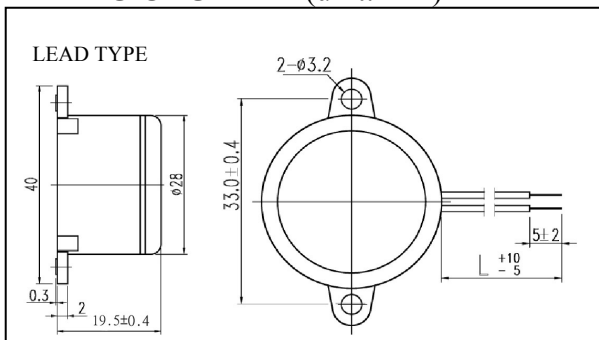
B2 SERIES



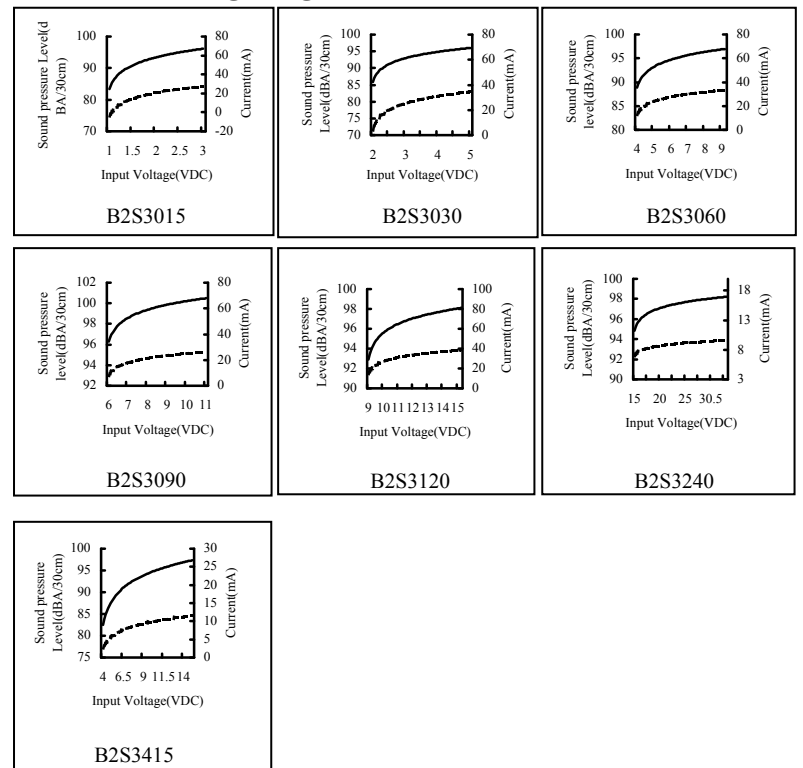
## FEATURES:

- Multi-tone magnetic buzzer
- Contactless vibration
- Single/pulse/dual tone
- Medium to loud sound output
- Screw/PCB mounting
- Operating temperature  $-20^{\circ}\text{C}$ -- $+70^{\circ}\text{C}$
- Storage temperature  $-30^{\circ}\text{C}$ -- $+70^{\circ}\text{C}$

## DIMENSIONS: (unit: mm)



## CHARACTERISTICS:



Remark: -----Pressure level ----- Current

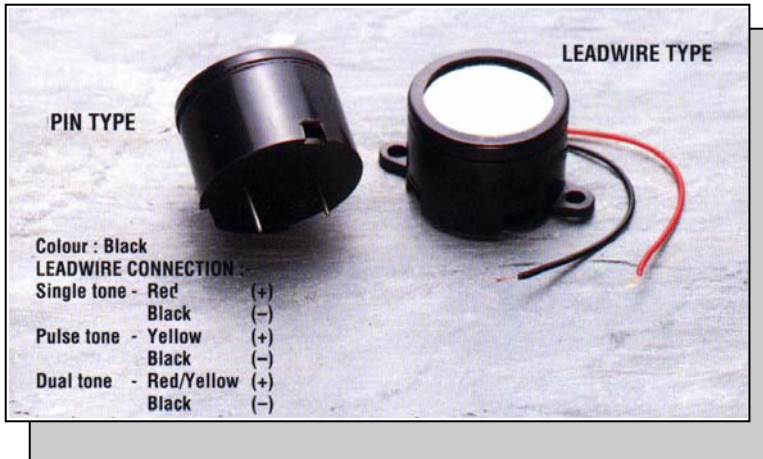
L=100mm, standard (changes as your request)

## SPECIFICATIONS:

| Model No. | Operating Voltage (VDC) | Rated Voltage (VDC) | Max. Current at Rated Voltage (mA) | Frequency (kHz) | Min. Sound Pressure at Rated Voltage (dBA/30cm) | Pulse Rate at Rated Voltage (Pulse/Sec) | Tone   | Terminal |
|-----------|-------------------------|---------------------|------------------------------------|-----------------|---|---|--------|----------|
| B2S3015   | 1-3                     | 1.5                 | 25                                 | 2.8±0.3         | 80  | NIL                                     | SINGLE | LEAD/PIN |
| B2S3030   | 2-5                     | 3                   | 35                                 | 2.8±0.3         | 85  | NIL                                     | SINGLE | LEAD/PIN |
| B2S3060   | 4-9                     | 6                   | 35                                 | 2.8±0.3         | 90  | NIL                                     | SINGLE | LEAD/PIN |
| B2S3090   | 6-11                    | 9                   | 40                                 | 2.8±0.3         | 90  | NIL                                     | SINGLE | LEAD/PIN |
| B2S3120   | 9-15                    | 12                  | 40                                 | 2.8±0.3         | 95  | NIL                                     | SINGLE | LEAD/PIN |
| B2S3240   | 15-28                   | 24                  | 25                                 | 2.8±0.3         | 95  | NIL                                     | SINGLE | LEAD/PIN |
| B2S3415   | 4-15                    | 12                  | 15                                 | 2.8±0.3         | 90  | NIL                                     | SINGLE | LEAD/PIN |

# ECHO-MAGNETIC BUZZER

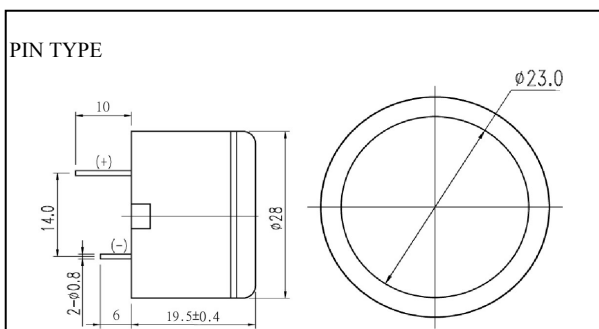
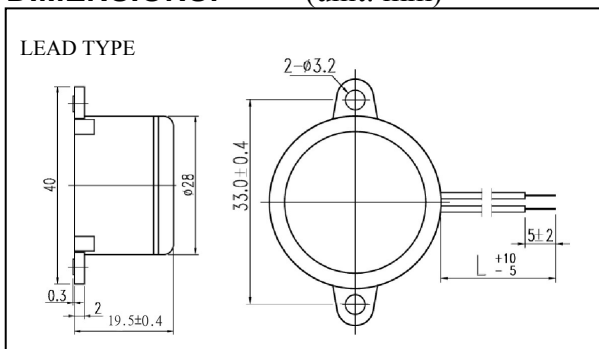
B2 SERIES



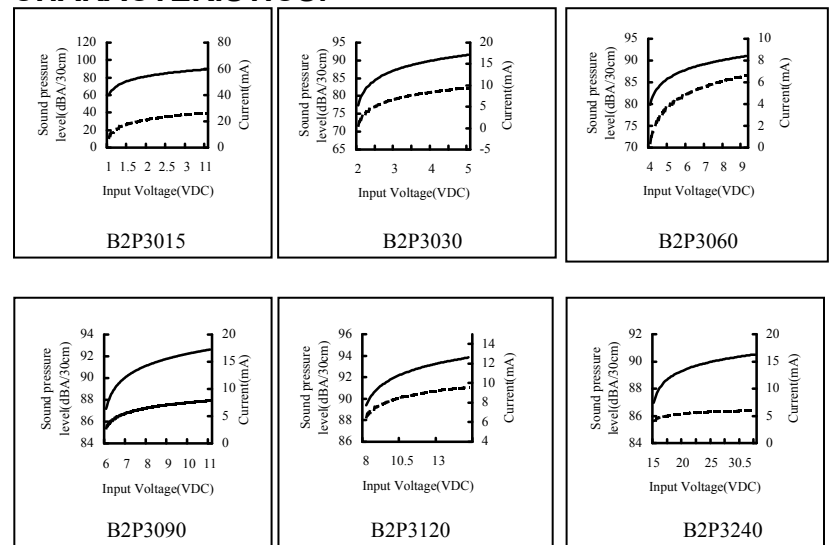
## FEATURES:

- Multi-tone magnetic buzzer
- Contactless vibration
- Single/pulse/dual tone
- Medium to loud sound output
- Screw/PCB mounting
- Operating temperature  $-20^{\circ}\text{C}$ -- $+70^{\circ}\text{C}$
- Storage temperature  $-30^{\circ}\text{C}$ -- $+70^{\circ}\text{C}$

## DIMENSIONS: (unit: mm)



## CHARACTERISTICS:



Remark: -----Pressure level ----- Current

L=100mm, standard (changes as your request)

## SPECIFICATIONS:

| Model No. | Operating Voltage (VDC) | Rated Voltage (VDC) | Max. Current at Rated Voltage (mA) | Frequency (kHz) | Min. Sound Pressure at Rated Voltage (dBA/30cm) | Pulse Rate at Rated Voltage (Pulse/Sec) | Tone         | Terminal |
|-----------|-------------------------|---------------------|------------------------------------|-----------------|---|---|--------------|----------|
| B2P3015   | 1-3                     | 1.5                 | 5                                  | 2.8±0.3         | 70  | 2-7                                     | PULSE        | LEAD/PIN |
| B2P3030   | 2-5                     | 3                   | 8                                  | 2.8±0.3         | 73  | 2-7                                     | PULSE        | LEAD/PIN |
| B2P3060   | 4-9                     | 6                   | 10                                 | 2.8±0.3         | 78  | 2-7                                     | PULSE        | LEAD/PIN |
| B2P3090   | 6-11                    | 9                   | 10                                 | 2.8±0.3         | 80  | 2-7                                     | PULSE        | LEAD/PIN |
| B2P3120   | 8-15                    | 12                  | 15                                 | 2.8±0.3         | 85  | 2-7                                     | PULSE        | LEAD/PIN |
| B2P3240   | 15-28                   | 24                  | 20                                 | 2.8±0.3         | 85  | 2-7                                     | PULSE        | LEAD/PIN |
| B2D3060   | 4-9                     | 6                   | 35/10                              | 2.8±0.3         | 85/70   | 2-7                                     | SINGLE/PULSE | 3 LEADS  |
| B2D3090   | 6-11                    | 9                   | 35/15                              | 2.8±0.3         | 85/75   | 2-7                                     | SINGLE/PULSE | 3 LEADS  |
| B2D3120   | 8-15                    | 12                  | 40/15                              | 2.8±0.3         | 90/80   | 2-7                                     | SINGLE/PULSE | 3 LEADS  |