

ECHO-PIEZO TRANSDUCER

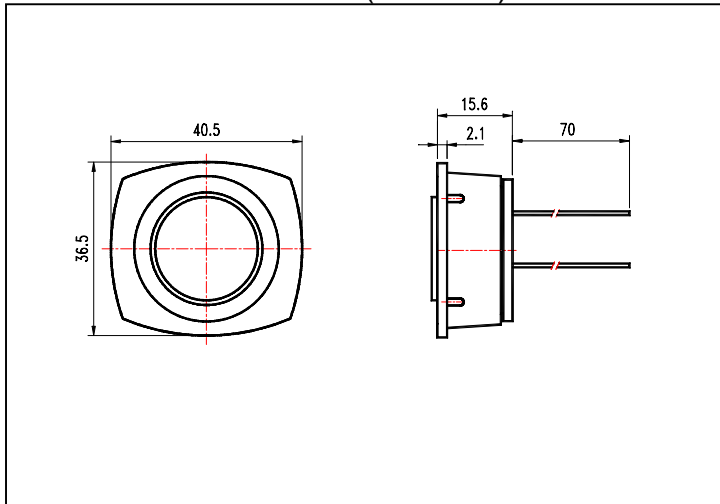
ESB6NC SERIES



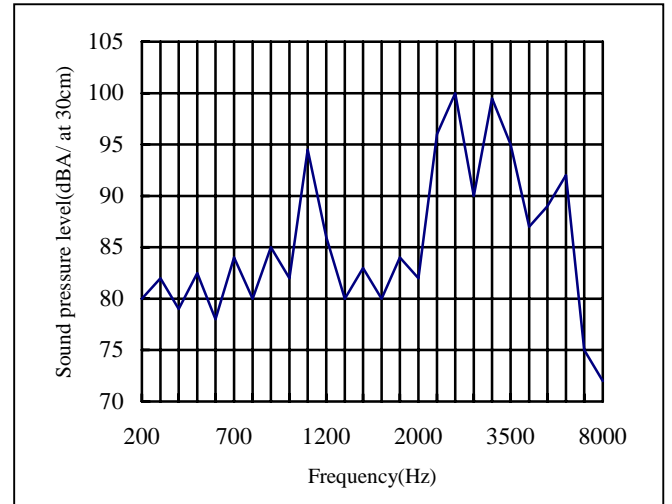
FEATURES:

- Loud sound output
- Leadwire terminals
- Completely weatherproof
- Compatible with most alarm systems

DIMENSIONS: (unit: mm)



FREQUENCY RESPONSE:



SPECIFICATIONS:

Model Number	ESB6NC
Sound Pressure Level	95dB Min./30cm/20Vp-p Square Wave/3.3kHz
Static Capacitance	25,000pF±30%
Resonant Frequency	3.0±0.5KHz
Resonant Resistance	200Ω Max.
Allowable Input Voltage	70Vp-p Max.
Current Consumption	5mA Max.
Operating Temperature	-20°C~+70°C
Storage Temperature	-30°C~+70°C
Weight	4.5g

ECHO-PIEZO TRANSDUCER

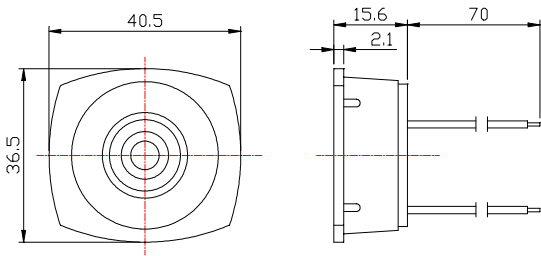
ESB6NC SERIES



FEATURES:

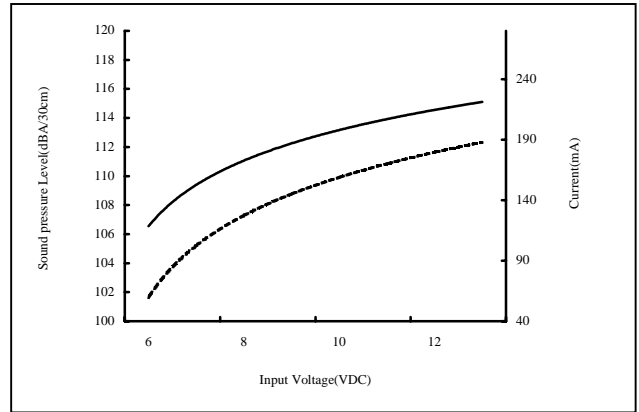
- Loud sound output
- Leadwire terminals
- Completely weatherproof
- Compatible with most alarm systems

DIMENSIONS:

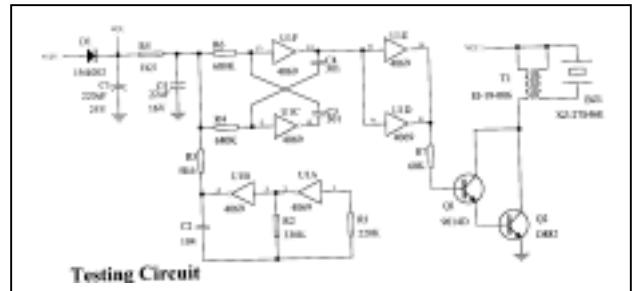


Unit: mm

CHARACTERISTICS:



Remark: ——— Pressure level - - - - - Current



SPECIFICATIONS:

Model No.	Operating Voltage (VDC)	Rated Voltage (VDC)	Max. Current at Rated Voltage (mA)	Frequency (kHz)	Min. Sound Pressure at Rated Voltage (dB(A)/30cm)	Pulse Rate at Rated Voltage (Pulse/Sec)	Tone	Terminal
ESB6NC-03	6-13	12	300	3.0±0.5	110	NIL	SIREN	LEAD