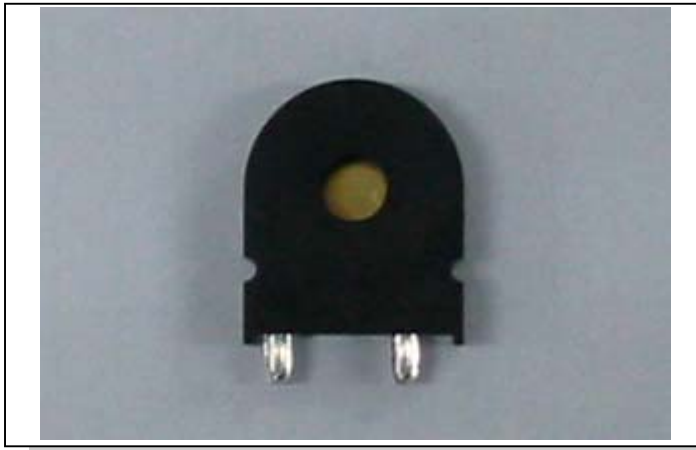


ECHO-PIEZO TRANSDUCER

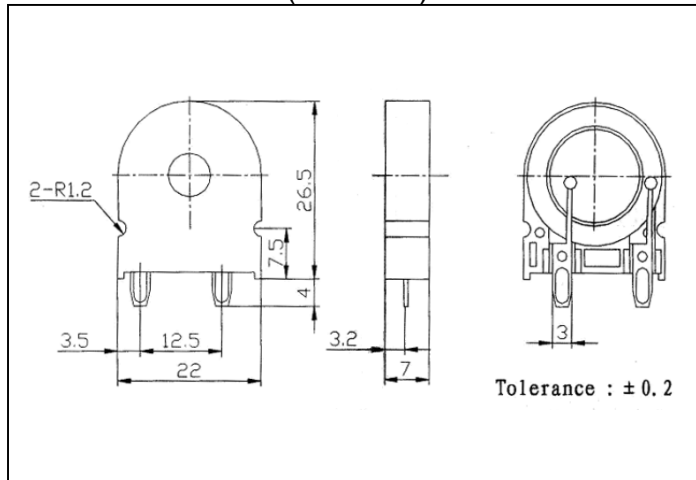
B149 SERIES



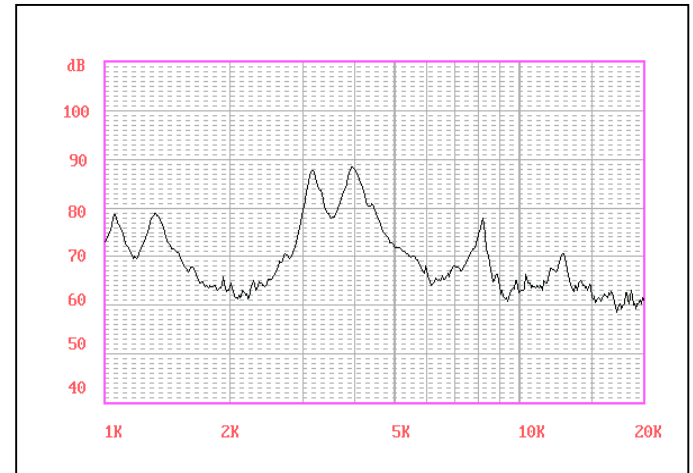
FEATURES:

- Ultra small size
- Low current consumption
- Extremely durable
- Long life
- Operating temperature $-30^{\circ}\text{C} \sim +105^{\circ}\text{C}$
- Storage temperature $-40^{\circ}\text{C} \sim +105^{\circ}\text{C}$

DIMENSIONS: (unit: mm)



FREQUENCY RESPONSE:



SPECIFICATIONS:

Model Number	B149B04P
Sound Pressure Level	85dBA Min. at 10cm
Static Capacitance	16,000pF \pm 30% at 120Hz
Input Voltage	3Vp-p, 4KHz, Square wave
Max. Input Voltage	25Vp-p
Current Consumption	1mA Max.
Operating Temperature	$-30^{\circ}\text{C} \sim +105^{\circ}\text{C}$
Storage Temperature	$-40^{\circ}\text{C} \sim +105^{\circ}\text{C}$
Weight	3g