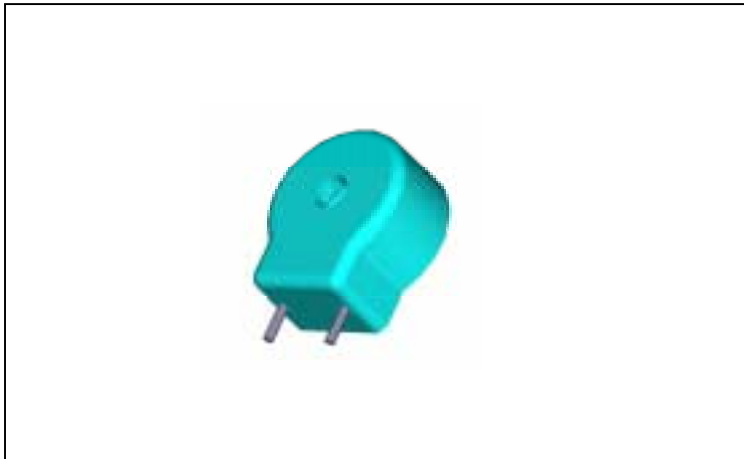


ECHO-PIEZO TRANSDUCER

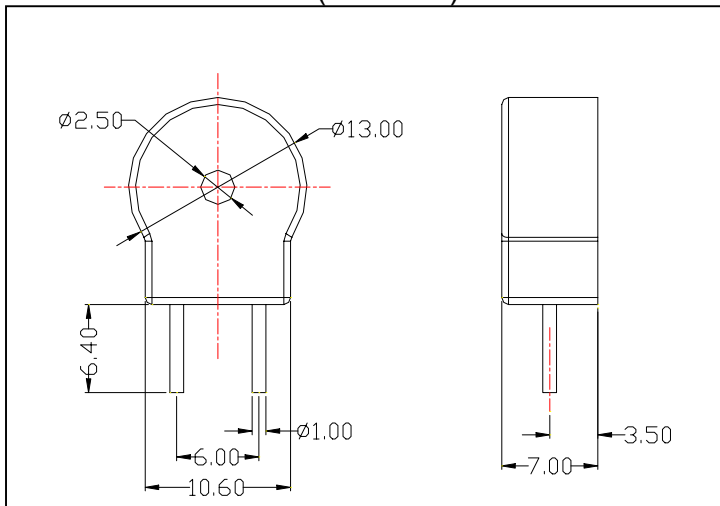
B109 SERIES



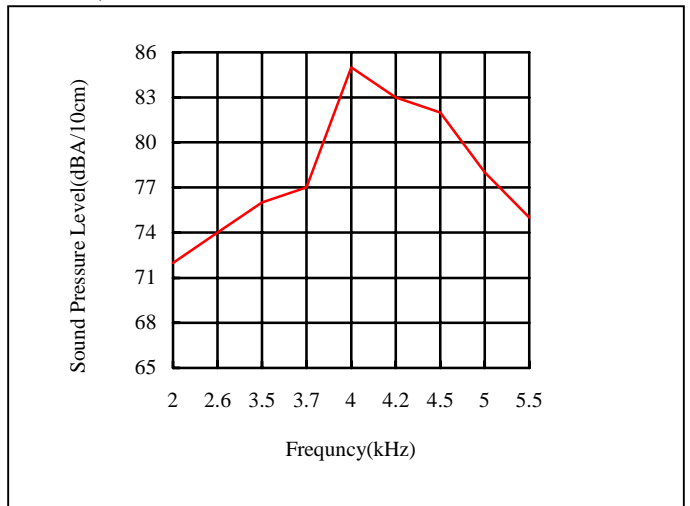
FEATURES:

- Ultra small size
- Low current consumption
- Extremely durable
- Long life
- Operating temperature -20°C ~ $+70^{\circ}\text{C}$
- Storage temperature -30°C ~ $+70^{\circ}\text{C}$

DIMENSIONS: (unit: mm)



FREQUENCY RESPONSE:



SPECIFICATIONS:

Model Number	B109B40P-02
Sound Pressure Level	75dBA Min. at 10cm
Static Capacitance	20,000Pf \pm 30% at 1KHz
Input Voltage	5Vp-p, 4.0KHz, Square wave
Max. Input Voltage	20Vp-p
Current Consumption	2mA Max.
Operating Temperature	-30°C ~ $+70^{\circ}\text{C}$
Storage Temperature	-40°C ~ $+80^{\circ}\text{C}$
Weight	0.8g

ECHO-PIEZO TRANSDUCER

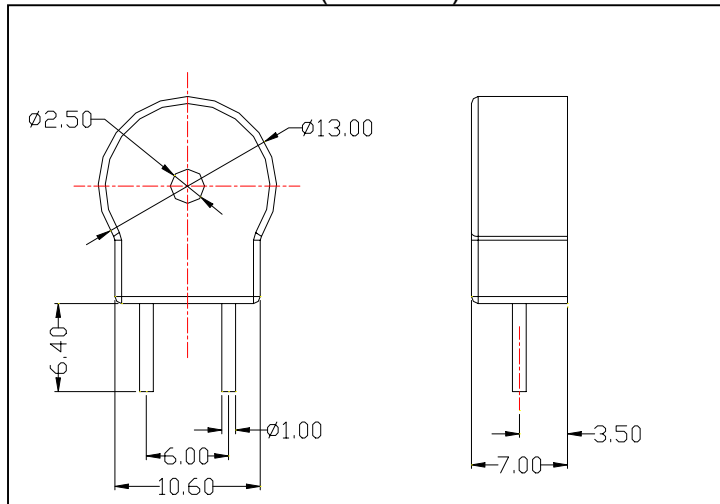
B109 SERIES



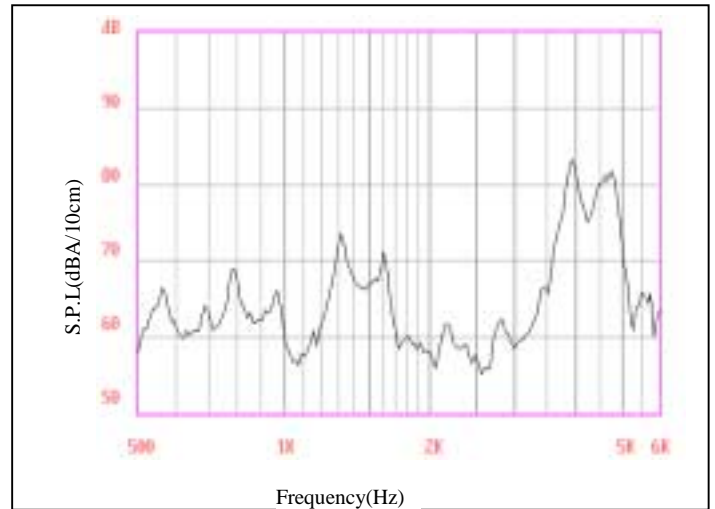
FEATURES:

- Ultra small size
- Low current consumption
- Extremely durable
- Long life
- Operating temperature -20°C ~ $+70^{\circ}\text{C}$
- Storage temperature -30°C ~ $+70^{\circ}\text{C}$

DIMENSIONS: (unit: mm)



FREQUENCY RESPONSE:



SPECIFICATIONS:

Model Number	B109B40P-01
Sound Pressure Level	70dBA Min. at 10cm
Static Capacitance	20,000pF \pm 30% at 1KHz
Input Voltage	3Vp-p, 4.0KHz, Square wave
Max. Input Voltage	20Vp-p
Current Consumption	1mA Max.
Operating Temperature	-30°C ~ $+70^{\circ}\text{C}$
Storage Temperature	-40°C ~ $+80^{\circ}\text{C}$
Weight	0.8g