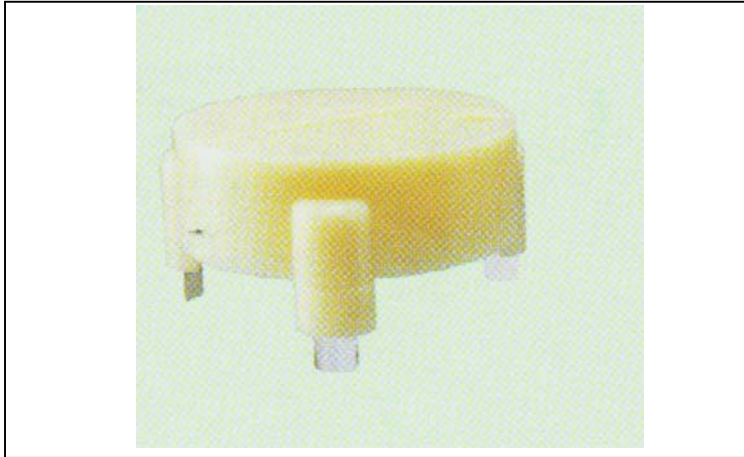


ECHO-PIEZO TRANSDUCER

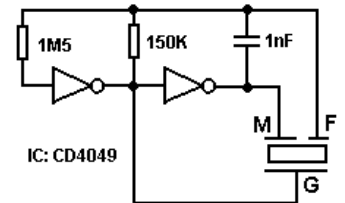
B94 SERIES



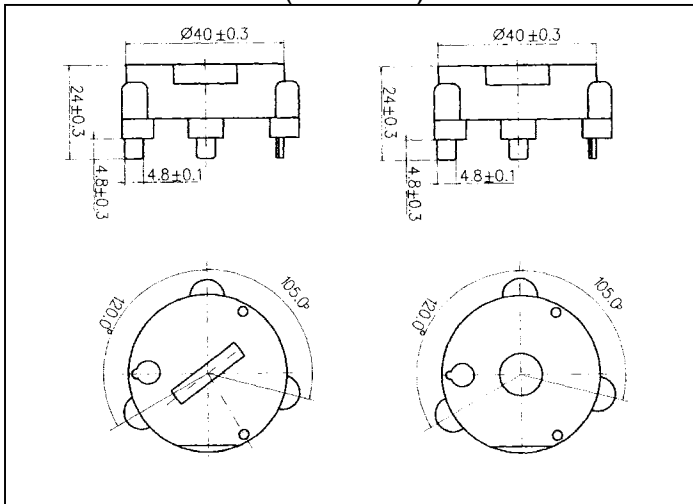
FEATURES:

- Feed-back type
- Emit a clear penetrating sound
- Low current consumption
- Extremely durable & long life
- Operating temperature -20°C ~ $+70^{\circ}\text{C}$
- Storage temperature -30°C ~ $+70^{\circ}\text{C}$

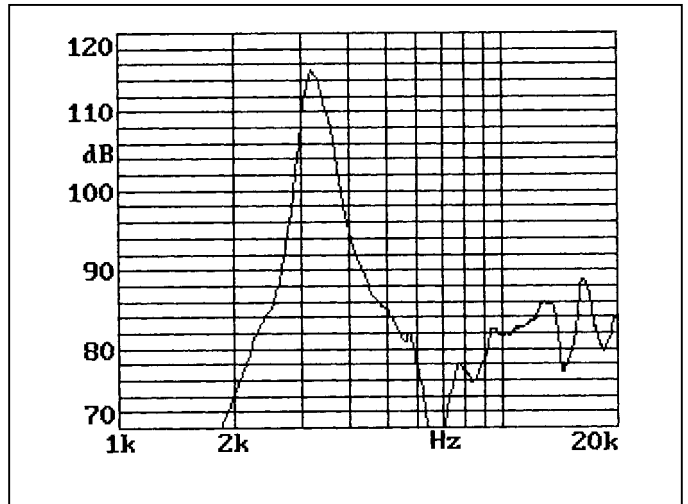
TEST CIRCUIT



DIMENSIONS: (unit: mm)



FREQUENCY RESPONSE:



SPECIFICATIONS:

| | |
|-----------------------|------------------------|
| Model Number | B94B03P |
| Sound Pressure Level | 95dBA Min. at 30cm |
| Static Capacitance | 25,000pF±30% at 120 Hz |
| Resonant Frequency | 3.4±0.5KHz |
| Input Voltage | 9VDC |
| Max. Input Voltage | 15VDC |
| Current Consumption | 15mA Max. |
| Operating Temperature | -30°C~+70°C |
| Storage Temperature | -40°C~+80°C |
| Weight | 10.5g |