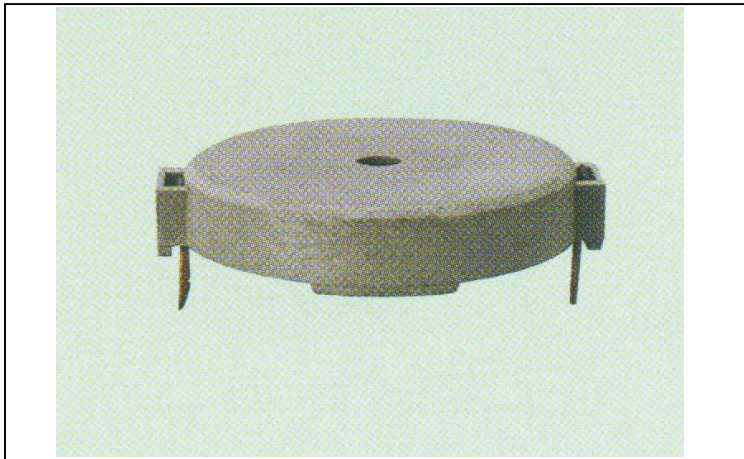


# ECHO-PIEZO TRANSDUCER

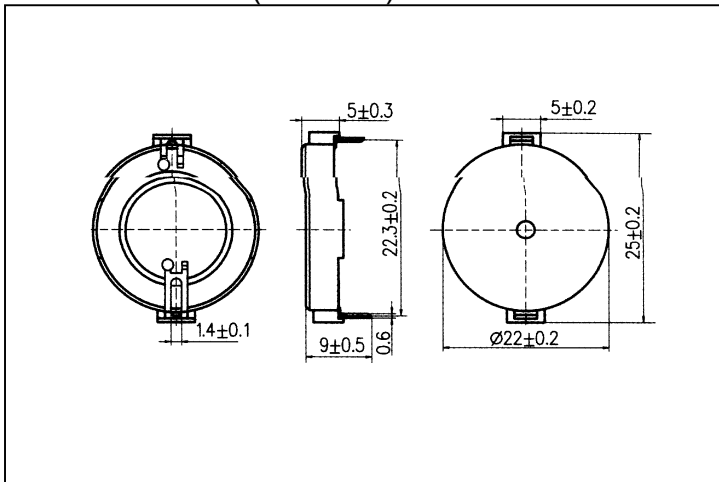
B78 SERIES



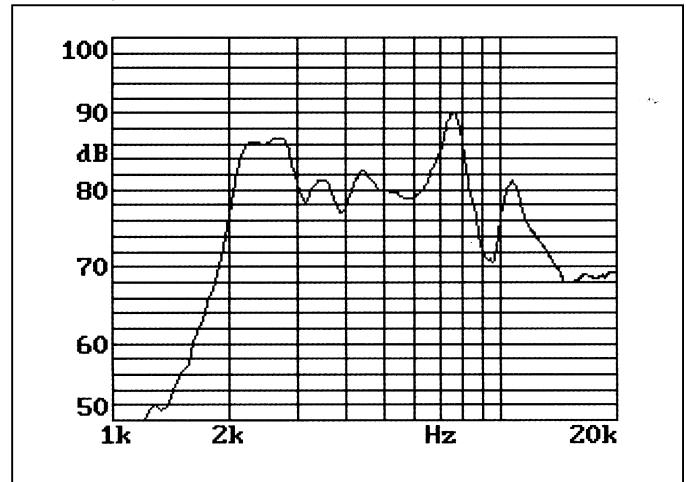
## FEATURES:

- Emit a clear penetrating sound
- Ultra small size and lightweight
- Low current consumption
- Extremely durable & long life
- Operating temperature  $-20^{\circ}\text{C}$ -- $+70^{\circ}\text{C}$
- Storage temperature  $-30^{\circ}\text{C}$ -- $+70^{\circ}\text{C}$

## DIMENSIONS: (unit: mm)



## FREQUENCY RESPONSE:



## SPECIFICATIONS:

Model Number	B78B02P
Sound Pressure Level	80dBA Min. at 10cm
Static Capacitance	18,000pF $\pm$ 30% at 120Hz
Input Voltage	10Vp-p, 2.5KHz, Square wave
Max. Input Voltage	30Vp-p
Current Consumption	3mA Max.
Operating Temperature	$-20^{\circ}\text{C}$ ~ $+85^{\circ}\text{C}$
Storage Temperature	$-30^{\circ}\text{C}$ ~ $+90^{\circ}\text{C}$
Weight	1.5g