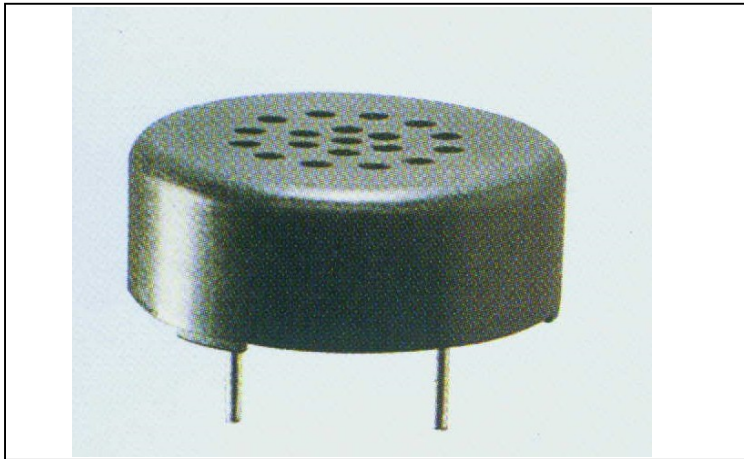


ECHO-DYNAMIC TRANSDUCER

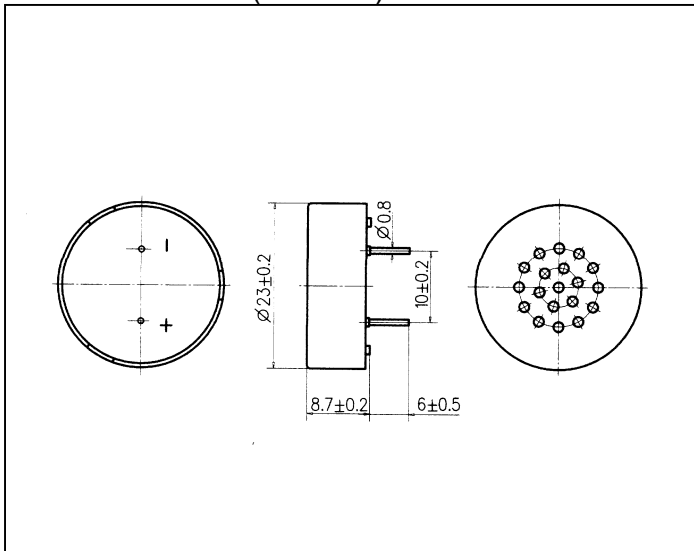
DT2310



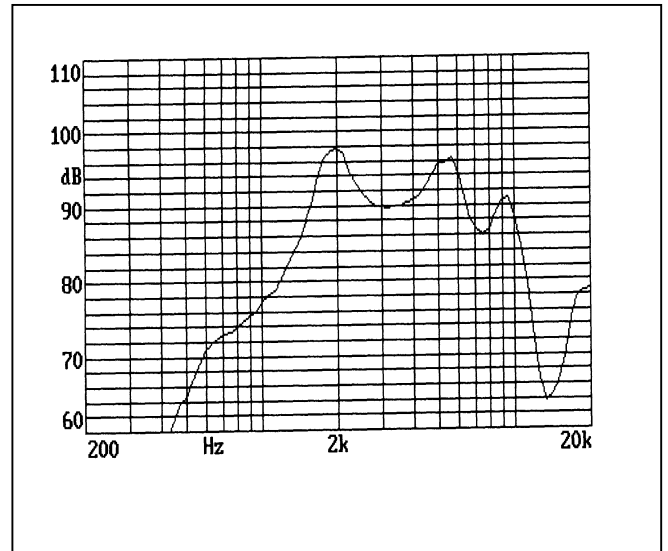
FEATURES:

- Small size & lightweight
- Wide range of frequency
- High sensitivity
- Long life
- Operating temperature -20°C ~ $+85^{\circ}\text{C}$
- Storage temperature -40°C ~ $+90^{\circ}\text{C}$

DIMENSIONS: (unit:mm)



FREQUENCY RESPONSE:



SPECIFICATIONS:

Model Number	DT2310
Nominal Power	0.1W
Max. Power	0.2W
Rated Impedance	$8 \pm 20\% \Omega$
Resonance Frequency	$1500 \pm 20\% \text{ Hz}$
Rated Frequency Range	700~6500 Hz
Sound Output at 10cm/1.5KHz	72dB Min.
Operating Temperature	-20°C ~ $+85^{\circ}\text{C}$
Storage Temperature	-40°C ~ $+90^{\circ}\text{C}$
Weight	5g