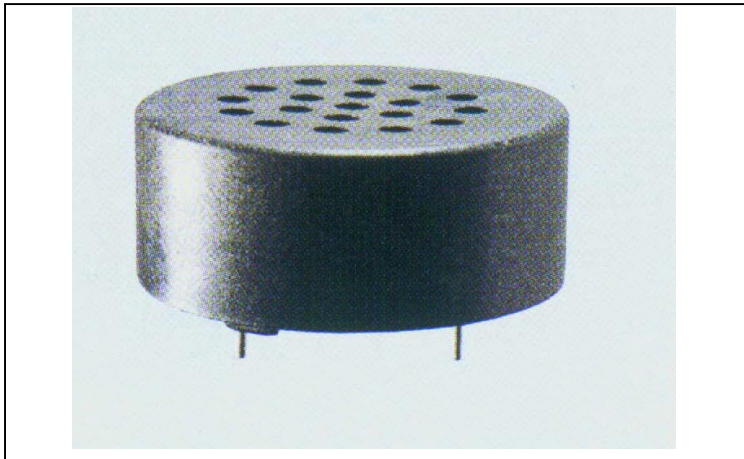


ECHO-DYNAMIC TRANSDUCER

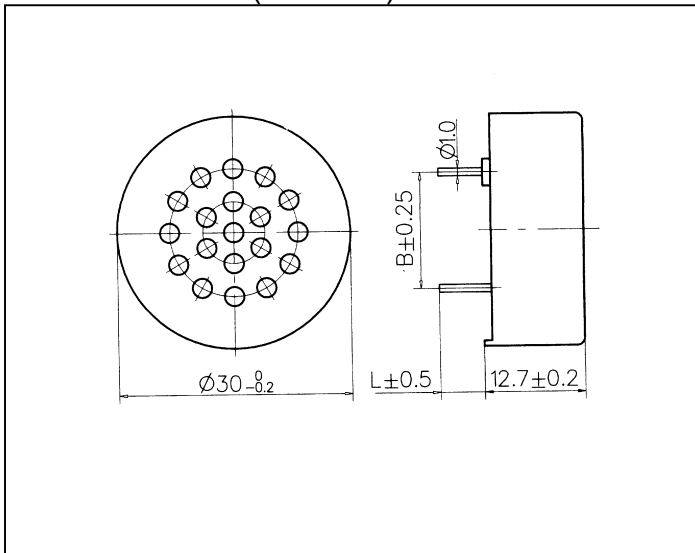
DT3013 SERIES



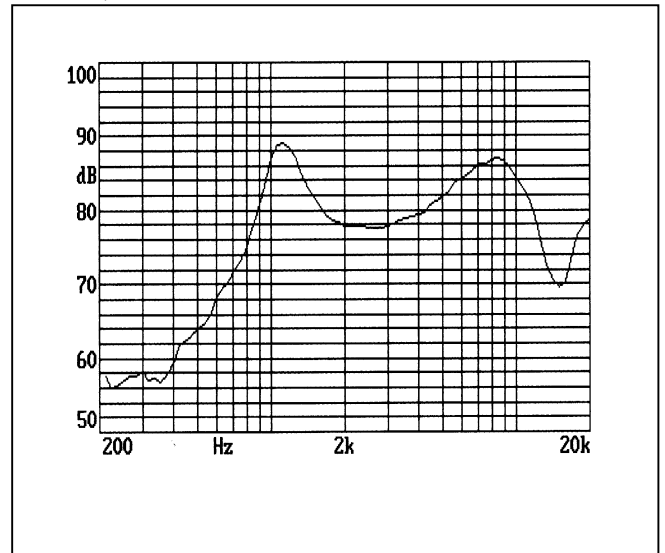
FEATURES:

- Small size & lightweight
- Wide range of frequency
- High sensitivity
- Long life
- Operating temperature -20°C -- $+70^{\circ}\text{C}$
- Storage temperature -30°C -- $+70^{\circ}\text{C}$

DIMENSIONS: (unit: mm)



FREQUENCY RESPONSE:



SPECIFICATIONS:

Model Number	DT3013-01	DT3013-02	DT3013-03	DT3013-04
Rated Impedance	$100\pm 15\% \Omega$	$8\pm 15\% \Omega$	$32\pm 15\% \Omega$	$16\pm 15\% \Omega$
Max. Rated Power	0.15(0.2) W			
Resonance Frequency	1000 \pm 20% Hz			
Rated Frequency Range	700~5000 Hz			
Sound Output at 10cm/1.5KHz	81dB Min.			
Operating Temperature	-20°C ~ $+85^{\circ}\text{C}$			
Storage Temperature	-40°C ~ $+90^{\circ}\text{C}$			
Weight	10g			