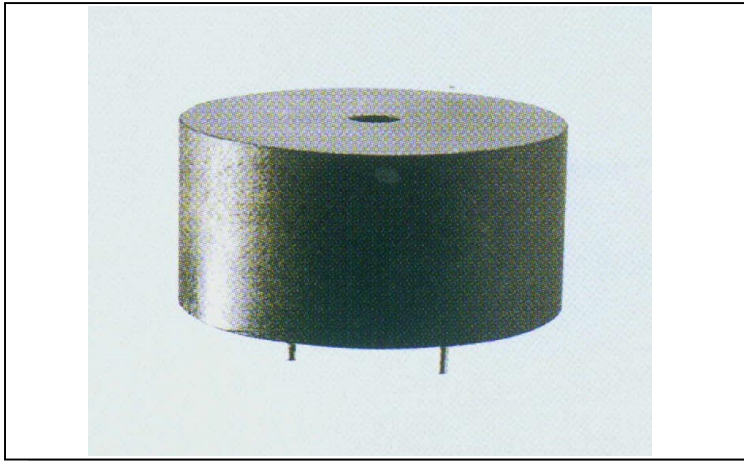


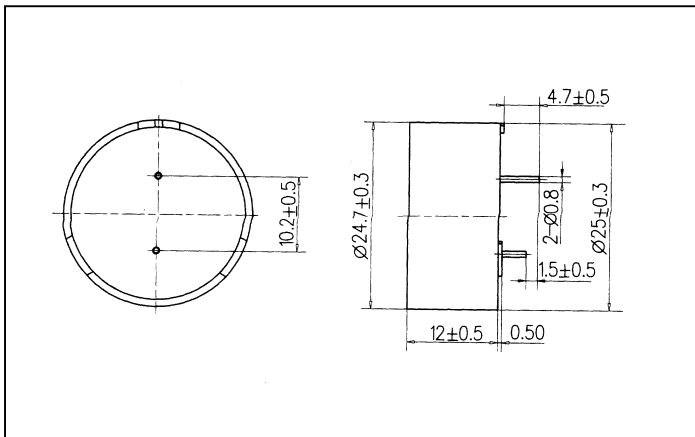
ECHO-MAGNETIC TRANSDUCER MT2512 SERIES



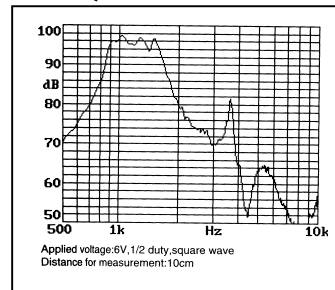
FEATURES:

- Emit a clear sound
- Small size & lightweight
- No electric noise
- Operating temperature -20°C ~ $+70^{\circ}\text{C}$
- Storage temperature -30°C ~ $+70^{\circ}\text{C}$

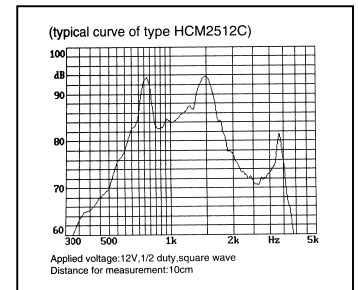
DIMENSIONS:



FREQUENCY RESPONSE:



MT2512-01/02/03



MT2512-04

SPECIFICATIONS:

Model Number	MT2512-01	MT2512-02	MT2512-03	MT2512-04
Rated Voltage (V)	6	6	12	12
Operating Voltage (V)	3~7	3~7	8~14	8~16
Max. Rated Current (mA)	◆80	◆70	◆55	▲55
Coil Resistance (Ω)	27±4	36±5	120±12	120±16
Min. Sound Output at 10cm (dB)	◆85			★85
Resonant Frequency (Hz)	730	1000~1500(80dB Min.)		740
Operating Temperature ($^{\circ}\text{C}$)	-25~+70			-40~+85
Storage Temperature ($^{\circ}\text{C}$)	-30~+85			-40~+95
Weight (g)	10			

◆ Value applying rated voltage (resonant frequency, 1/2 duty, square wave)

▲ Value applying rated voltage (1000Hz, 1/2 duty, square wave)

★ Value applying rated voltage (740Hz, 15% duty, square wave)

