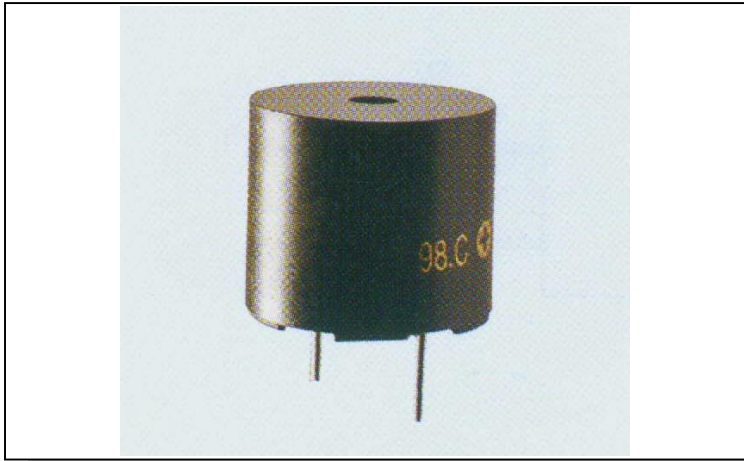


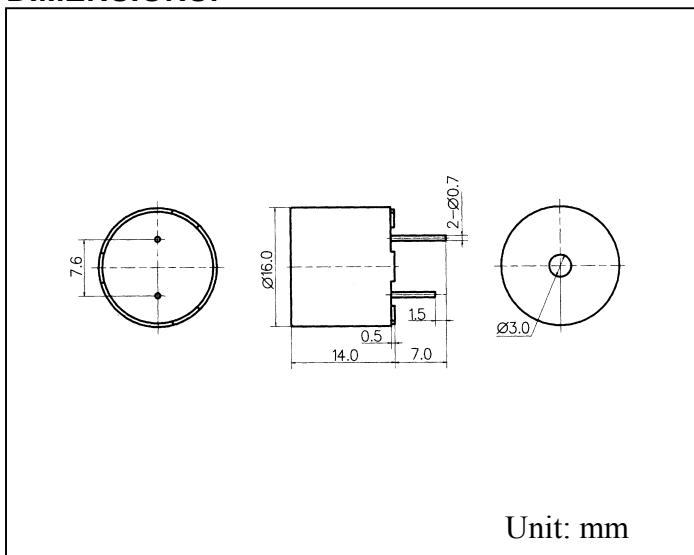
ECHO-MAGNETIC TRANSDUCER MT1614 SERIES



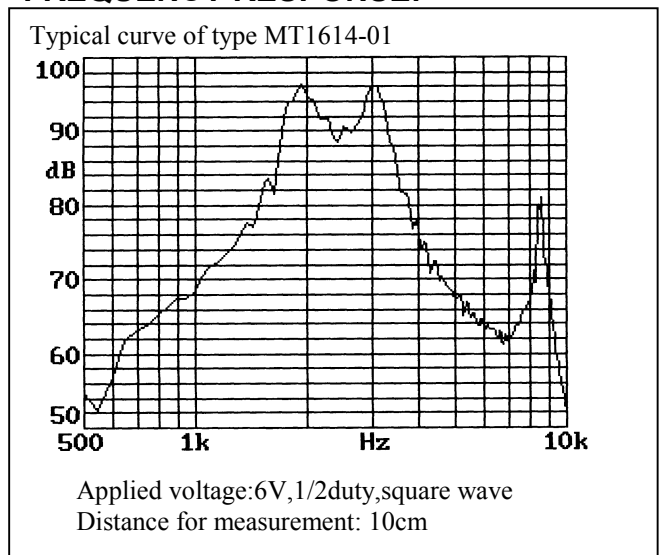
FEATURES:

- Emit a clear sound
- Small size & lightweight
- No electric noise
- Operating temperature -20°C ~ $+70^{\circ}\text{C}$
- Storage temperature -30°C ~ $+70^{\circ}\text{C}$

DIMENSIONS:



FREQUENCY RESPONSE:



SPECIFICATIONS:

Model Number	MT1614-01	MT1614-02
Rated Voltage (V)	6	12
Operating Voltage (V)	3~12	6~18
◆Max. Rated Current (mA)	40	
Coil Resistance (Ω)	45 \pm 7	115 \pm 17
◆Min. Sound Output at 10cm (dB)	85	
Resonant Frequency (Hz)	2000~3000	
Operating Temperature ($^{\circ}\text{C}$)	-40~+85	
Storage Temperature ($^{\circ}\text{C}$)	-40~+85	
Weight (g)	7	

◆Value applying rated voltage (2048Hz, 1/2 duty, square wave)