

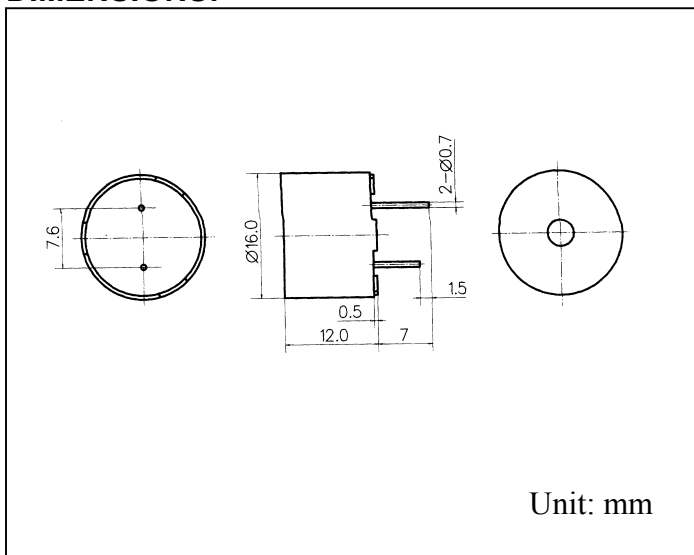
ECHO-MAGNETIC TRANSDUCER MT1612 SERIES



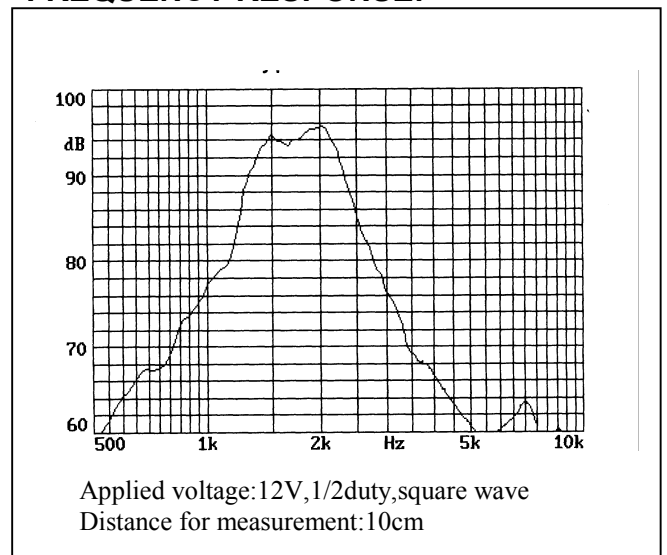
FEATURES:

- Emit a clear sound
- Small size & lightweight
- No electric noise
- Operating temperature -20°C -- $+70^{\circ}\text{C}$
- Storage temperature -30°C -- $+70^{\circ}\text{C}$

DIMENSIONS:



FREQUENCY RESPONSE:



SPECIFICATIONS:

Model Number	MT1612
Rated Voltage (V)	12
Operating Voltage (V)	6~18
◆Max. Rated Current (mA)	50
Coil Resistance (Ω)	135 ± 20
◆Min. Sound Output at 10cm (dB)	85
Resonant Frequency (Hz)	1700~2200
Operating Temperature ($^{\circ}\text{C}$)	$-40\sim +90$
Storage Temperature ($^{\circ}\text{C}$)	$-40\sim +95$
Weight (g)	4

◆ Value applying rated voltage (2048Hz, 1/2 duty, square wave)