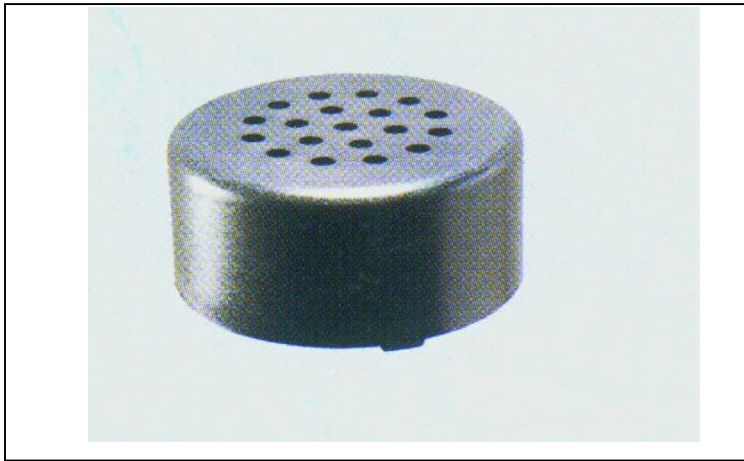


ECHO-DYNAMIC TRANSDUCER

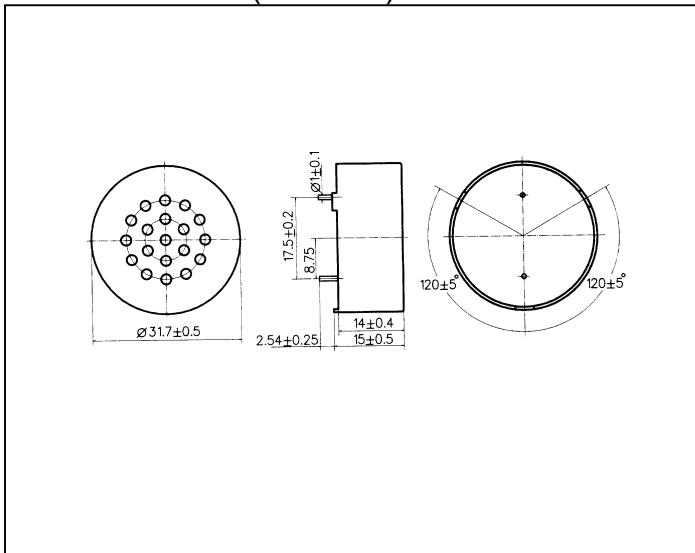
DT3115 SERIES



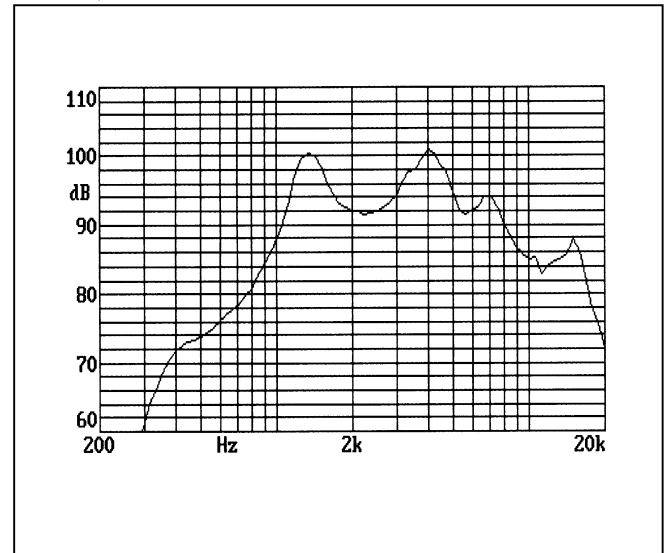
FEATURES:

- Small size & lightweight
- Wide range of frequency
- High sensitivity
- Long life
- Operating temperature -20°C ~ $+70^{\circ}\text{C}$
- Storage temperature -30°C ~ $+70^{\circ}\text{C}$

DIMENSIONS: (unit: mm)



FREQUENCY RESPONSE:



SPECIFICATIONS:

Model Number	DT3115
Rated Impedance	$8 \pm 20\% \Omega$
Max. Rated Power	0.15(0.2) W
Resonance Frequency	1100 ± 150 Hz
Rated Frequency Range	700~4000 Hz
Sound Output at 10cm/1.5KHz	83dB Min.
Operating Temperature	-20°C ~ $+60^{\circ}\text{C}$
Storage Temperature	-20°C ~ $+60^{\circ}\text{C}$
Weight	11g