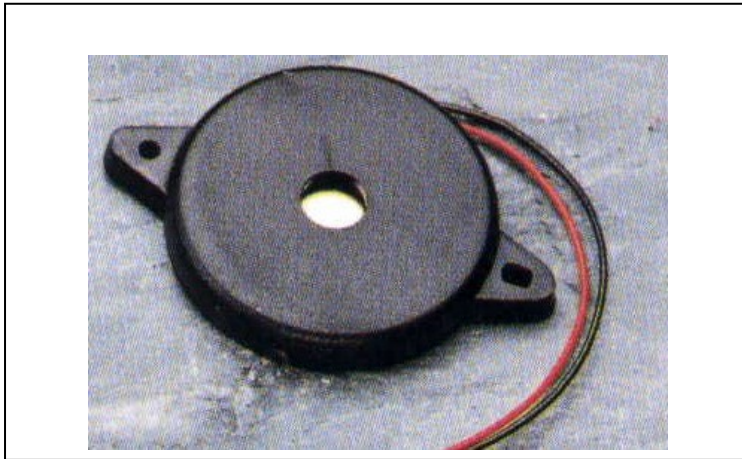


# ECHO-PIEZO TRANSDUCER

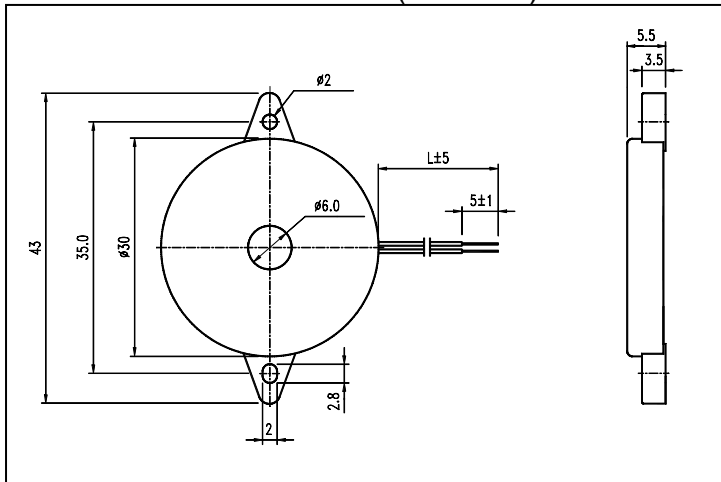
B30 SERIES



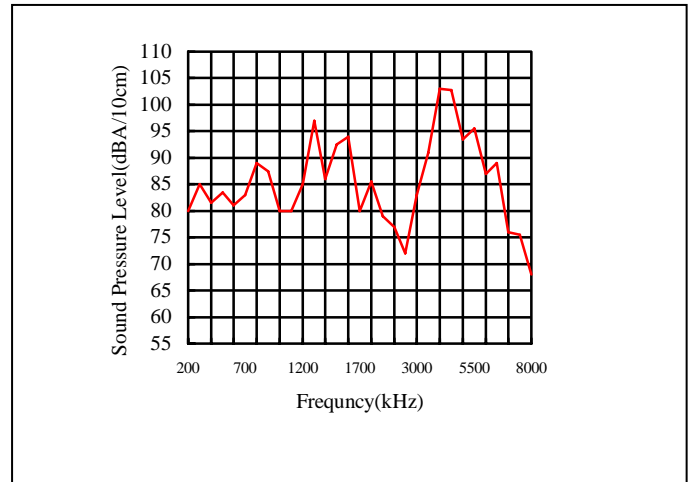
## FEATURES:

- Medium to loud sound output
- Low current consumption
- Extremely durable
- Long life
- Operating temperature  $-20^{\circ}\text{C}$ ~ $+70^{\circ}\text{C}$
- Storage temperature  $-30^{\circ}\text{C}$ ~ $+70^{\circ}\text{C}$

## DIMENSIONS: (unit: mm)



## FREQUENCY RESPONSE:



Remark: L=90mm, standard (changes as your request)

## SPECIFICATIONS:

Model Number	B30B04L
Sound Pressure Level	85dBA Min. at 10cm
Static Capacitance	25,000pF±30%
Input Voltage	9Vp-p, 4KHz, Square wave
Max. Input Voltage	30Vp-p
Current Consumption	5mA max.
Operating Temperature	$-20^{\circ}\text{C}$ ~ $+70^{\circ}\text{C}$
Storage Temperature	$-30^{\circ}\text{C}$ ~ $+70^{\circ}\text{C}$
Weight	4g