

# ECHO-PIEZO TRANSDUCER

B16 SERIES

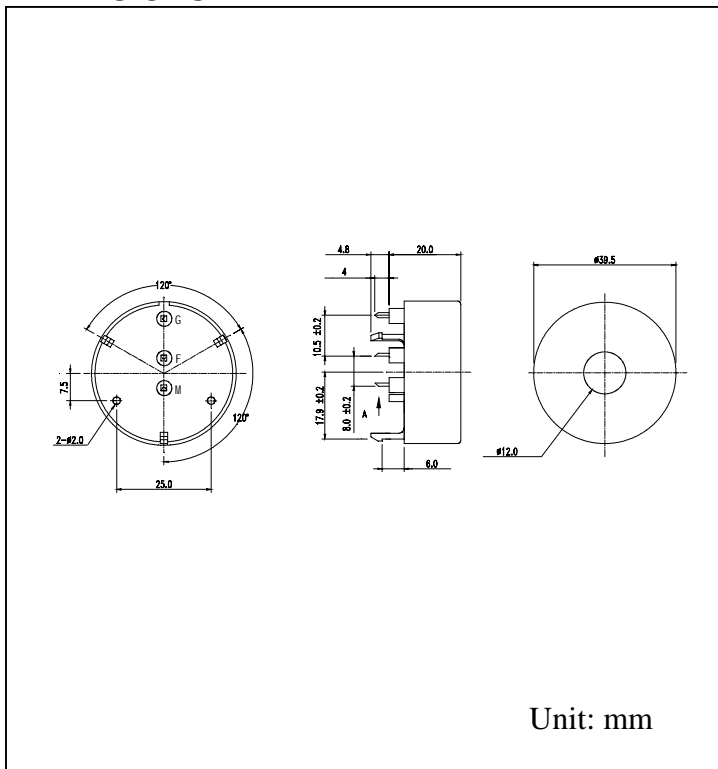


Colour : Black  
Case : Nylon 6 / Noryl  
Terminal : Copper with Silver Plated

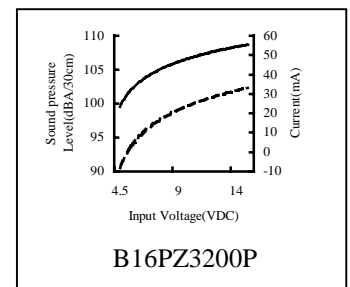
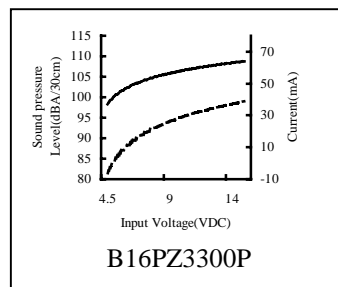
## FEATURES:

- 35mm stainless steel diaphragm
- With feedback terminal
- Nylon/Noryl Plastic Case
- PCB mounting
- Operating temperature  $-20^{\circ}\text{C}$ --- $+70^{\circ}\text{C}$
- Storage temperature  $-30^{\circ}\text{C}$ --- $+70^{\circ}\text{C}$

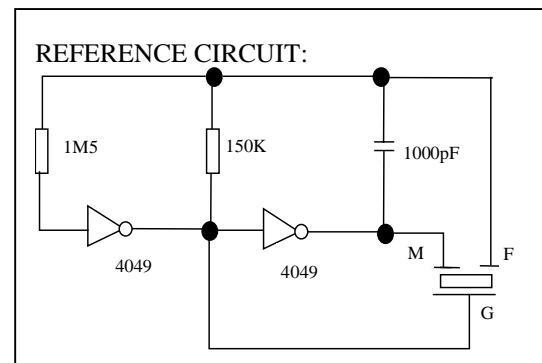
## DIMENSIONS:



## CHARACTERISTICS:



Remark: ——— Pressure level ----- Current



## SPECIFICATIONS:

Model No.	Operating Voltage (VDC)	Rated Voltage (VDC)	Max. Driving Current (mA)	Frequency (kHz)	Min. Sound Pressure at Rated Voltage (dBA/30cm)	Pulse Rate at Rated Voltage (Pulse/Sec)	Tone	Terminal
B16PZ3300P	4.5-15	9	20	3.4±0.5	105	0	SINGLE	3PIN
B16PZ3200P	4.5-15	9	20	3.4±0.5	100	0	SINGLE	3PIN
B16PZ3200P -03	4.5-18	9	20	3.4±0.5	100	0	SINGLE	3PIN

# ECHO-PIEZO TRANSDUCER

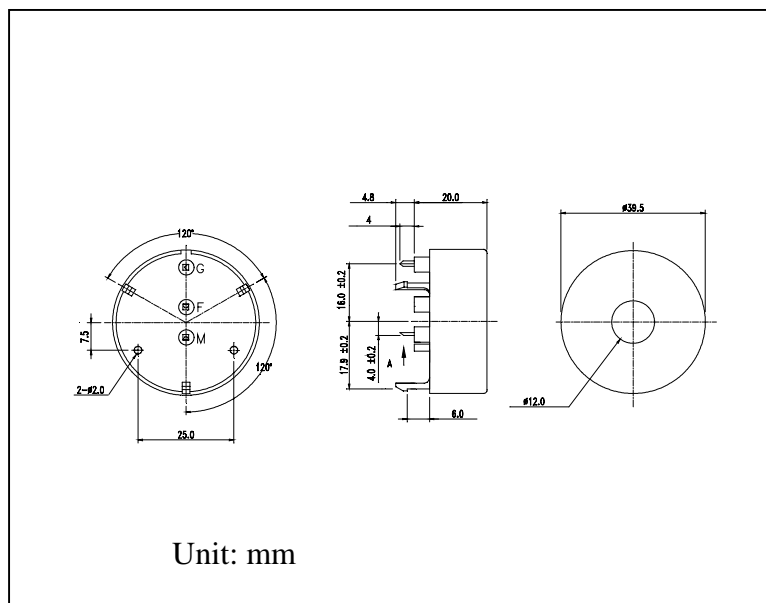
B16 SERIES



## FEATURES:

- 35mm stainless steel diaphragm
- NON with feedback terminal
- Nylon/Noryl Plastic Case
- PCB mounting
- Operating temperature  $-20^{\circ}\text{C}$ --+ $70^{\circ}\text{C}$
- Storage temperature  $-30^{\circ}\text{C}$ --+ $70^{\circ}\text{C}$

## DIMENSIONS:



## SPECIFICATIONS:

Model Number	B16B03P
Sound Pressure Level	100dBA Min. at 30cm
Static Capacitance	35,000pF $\pm$ 30% at 1KHz
Input Voltage	9Vp-p, 3.4KHz, Square wave
Max. Input Voltage	25Vp-p
Current Consumption	20mA Max.
Operating Temperature	$-20^{\circ}\text{C}$ ~ $+70^{\circ}\text{C}$