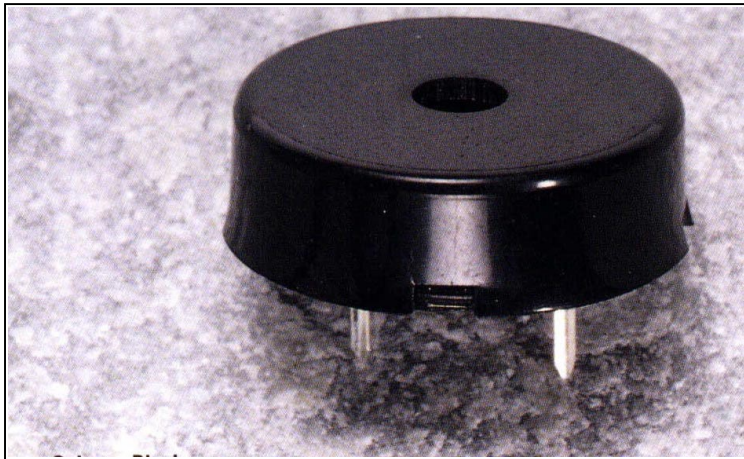


# ECHO-PIEZO TRANSDUCER

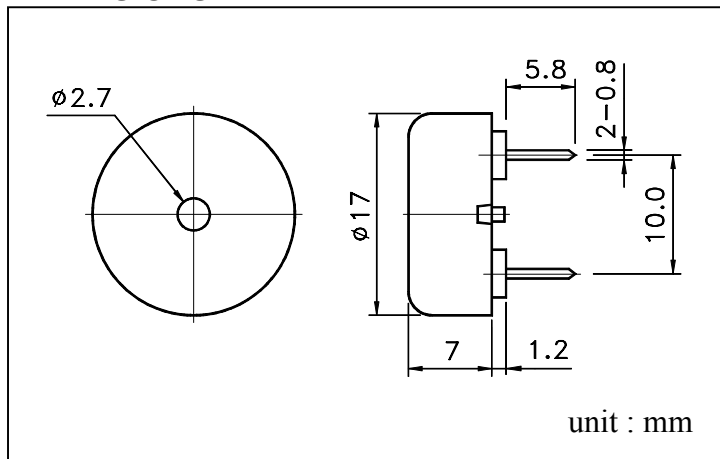
B4 SERIES



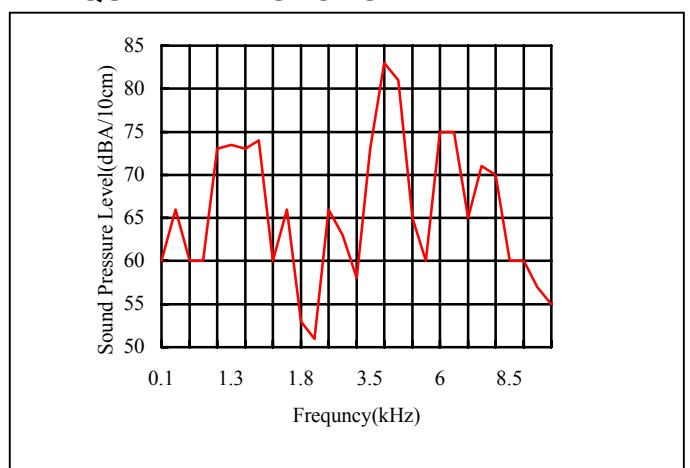
## FEATURES:

- Ultra small size
- Low current consumption
- Extremely durable
- Long life
- Hi-Temp. ABS housing
- Operating temperature  $-20^{\circ}\text{C}$ -- $+70^{\circ}\text{C}$
- Storage temperature  $-30^{\circ}\text{C}$ -- $+70^{\circ}\text{C}$

## DIMENSIONS:



## FREQUENCY RESPONSE:



## SPECIFICATIONS:

Model Number	B4B04P
Sound Pressure Level	75dBA Min. at 10cm
Static Capacitance	10,000pF $\pm$ 30%
Input Voltage	3Vp-p, 4.096KHz, Square wave
Max. Input Voltage	25Vp-p
Current Consumption	1mA Max.
Operating Temperature	$-20^{\circ}\text{C}$ ~ $+80^{\circ}\text{C}$
Storage Temperature	$-30^{\circ}\text{C}$ ~ $+85^{\circ}\text{C}$
Weight	2g