

ECHO-PIEZO BUZZER

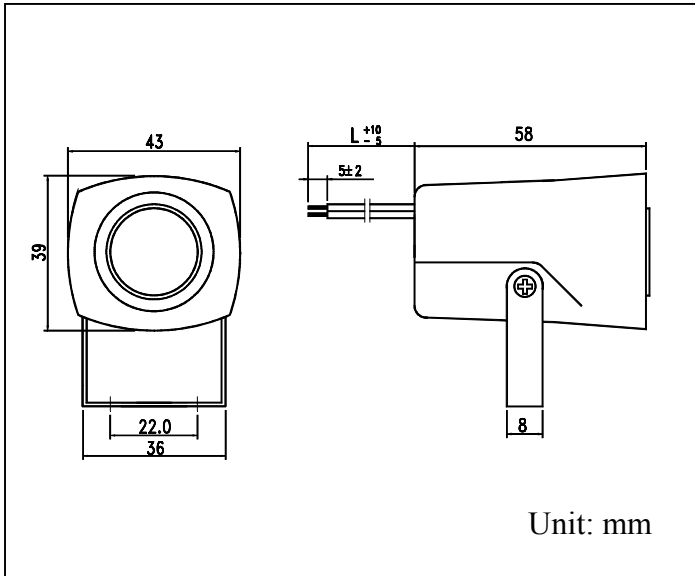
ESB5 SERIES



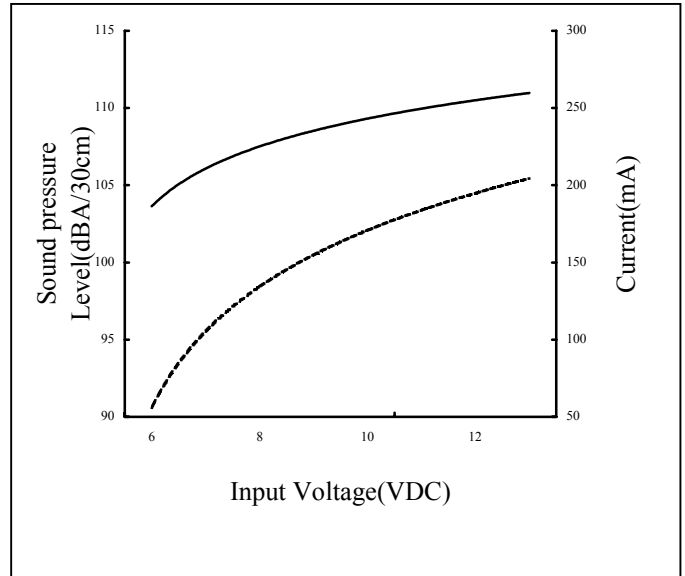
FEATURES:

- Loud sound output
- Screw mounting with leadwire terminals
- Completely weatherproof
- Compatible with most alarm systems
- Operating temperature -20°C to $+70^{\circ}\text{C}$
- Storage temperature -30°C to $+70^{\circ}\text{C}$

DIMENSIONS:



CHARACTERISTICS:



Remark: ——— Pressure level - - - - - Current

L=550mm, standard (changes as your request)

SPECIFICATIONS:

Model No.	Operating Voltage (VDC)	Rated Voltage (VDC)	Max. Current at Rated Voltage (mA)	Frequency (kHz)	Min. Sound Pressure at Rated Voltage (dBA/30cm)	Pulse Rate at Rated Voltage (Pulse/Sec)	Tone	Terminal
ESB5R3120	6-13	12	200	3.0±0.5	110	NIL	SIREN	LEAD