

ECHO-PIEZO BUZZER

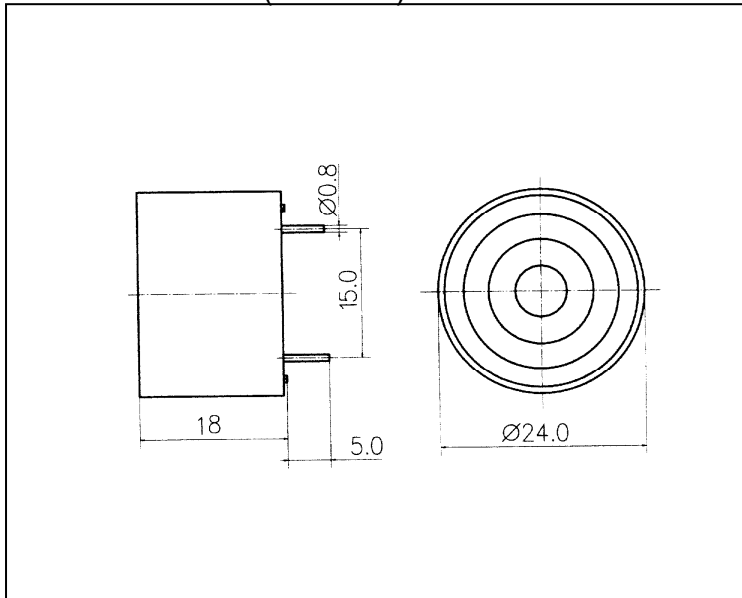
B104 SERIES



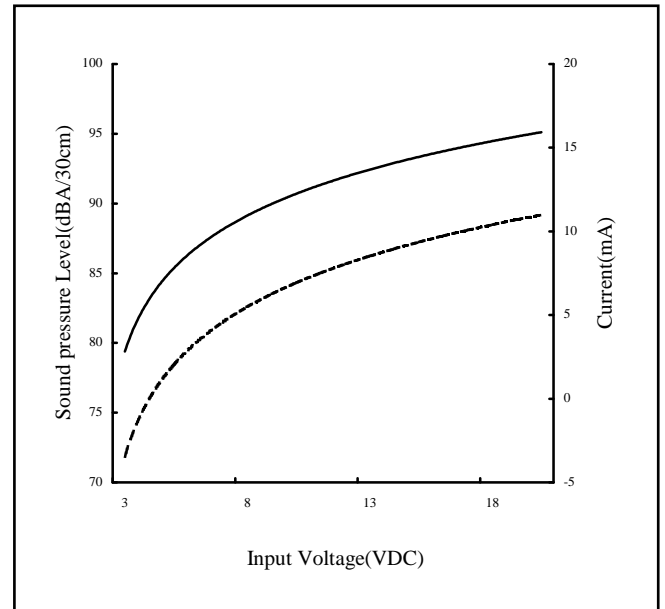
FEATURES:

- Loud sound output
- Ultra small size and lightweight
- Low current consumption
- Extremely durable & long life
- Operating temperature -20°C --- $+70^{\circ}\text{C}$
- Storage temperature -30°C --- $+70^{\circ}\text{C}$

DIMENSIONS: (unit: mm)



CHARACTERISTICS:



Remark:—— Pressure level ----- Current

SPECIFICATIONS:

Model No.	Operating Voltage (VDC)	Rated Voltage (VDC)	Max.Current at Rated Voltage (mA)	Frequency (kHz)	Min. Sound Pressure at Rated Voltage (dBA/30cm)	Pulse Rate at Rated Voltage (Pulse/Sec)	Tone	Terminal
B104S4120P (A/B)	3-16	12	8	3.7±0.5	90	NIL	SINGLE	PIN

Remark: B104S4120P(A) bottom with plastic cover ; B104S4120P(B) bottom with epoxy adhesive sealing