

# ECHO-PIEZO BUZZER

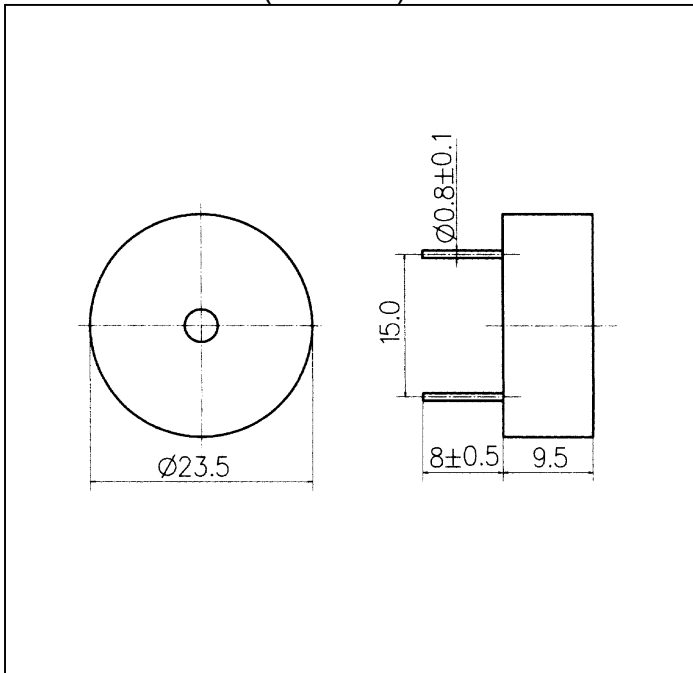
**B98 SERIES**



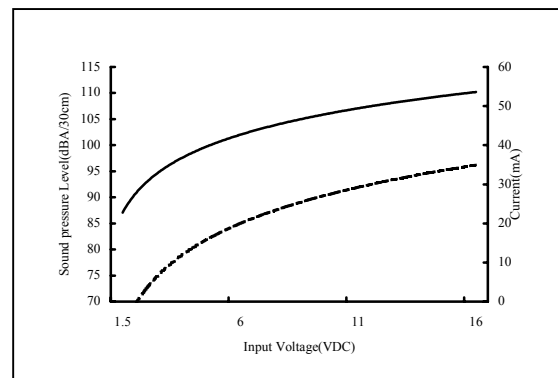
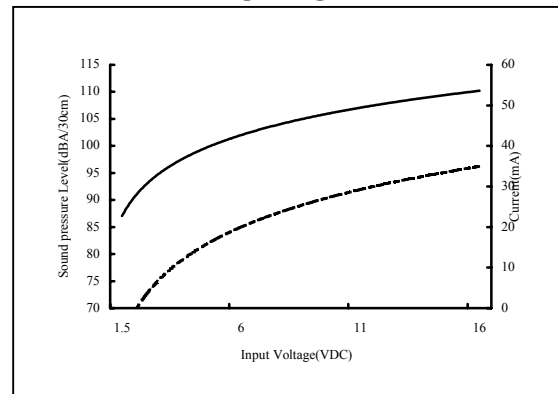
## FEATURES:

- Medium sound output
- Ultra small size and lightweight
- Low current consumption
- Extremely durable & long life
- Operating temperature  $-20^{\circ}\text{C}$ -- $+70^{\circ}\text{C}$
- Storage temperature  $-30^{\circ}\text{C}$ -- $+70^{\circ}\text{C}$

## DIMENSIONS: (unit: mm)



## CHARACTERISTICS:



## SPECIFICATIONS:

Model No.	Operating Voltage (VDC)	Rated Voltage (VDC)	Max. Current at Rated Voltage (mA)	Frequency (kHz)	Min. Sound Pressure at Rated Voltage (dBA/10cm)	Pulse Rate at Rated Voltage (Pulse/Sec)	Tone	Terminal
B98S3120	3-20	12	15	$3.4 \pm 0.5$	86	NIL	SINGLE	PIN
B98S3120(A)	3-20	12	10	$3.4 \pm 0.5$	95	NIL	SINGLE	PIN