

ECHO-PIEZO BUZZER

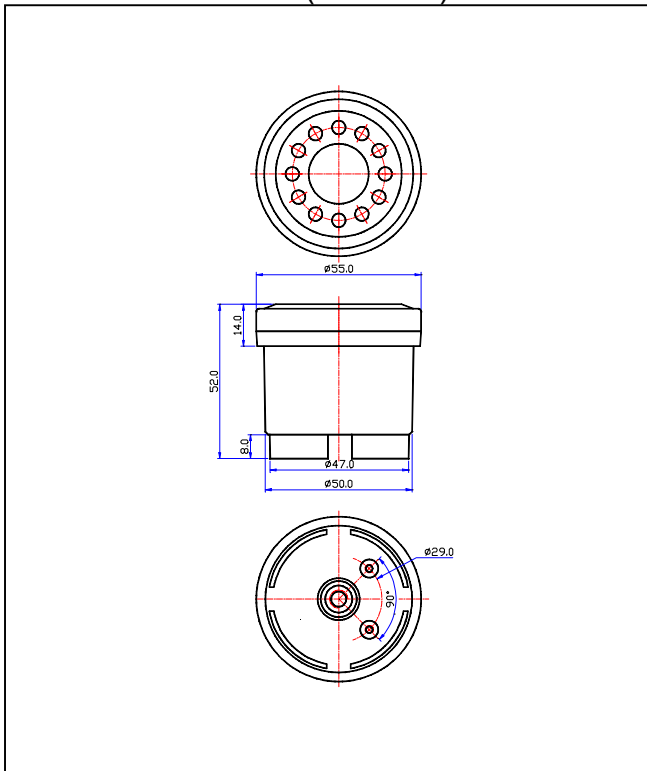
B57 SERIES



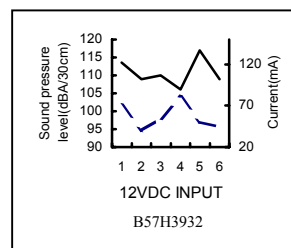
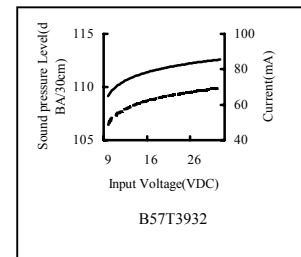
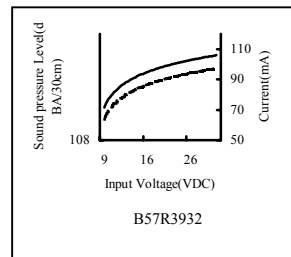
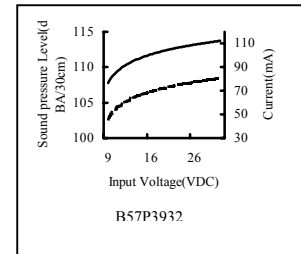
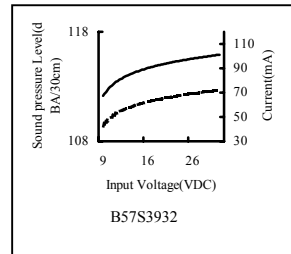
FEATURES:

- Single/pulse/siren/two/hex tone siren
- Impact resistance polycarbonate plastic housing
- Loud sound output
- Water-proof
- Excellent resistance to moisture, dust and corrosion
- Operating temperature -20°C -- $+70^{\circ}\text{C}$
- Storage temperature -30°C -- $+70^{\circ}\text{C}$

DIMENSIONS: (unit: mm)



CHARACTERISTICS:



Remark: ——— Pressure level - - - - - Current

SPECIFICATIONS:

Model No.	Operating Voltage (VDC)	Rated Voltage (VDC)	Max. Current at Rated Voltage (mA)	Frequency (kHz)	Min. Sound Pressure at Rated Voltage (dBA/30cm)	Pulse Rate at Rated Voltage (Pulse/Sec)	Tone	Terminal
B57S3932	9-32	12/24	120	2.8±0.5	100	/	SINGLE	PIN
B57P3932	9-32	12/24	120	2.8±0.5	100	1.0-2.0	PULSE	PIN
B57R3932	9-32	12/24	120	2.8±0.5	100	/	SIREN	PIN
B57T3932	9-32	12/24	100	(2.5-2.8)±0.5	100	/	TWO	PIN
B57H3932	9-32	12/24	150	(2.0-3.0)±0.5	100	/	HEX	PIN

Hex: Standard siren, Code-alarm, Euro-siren, Slot-machine, Smoke-alarm, Ray gun