

ECHO-PIEZO BUZZER

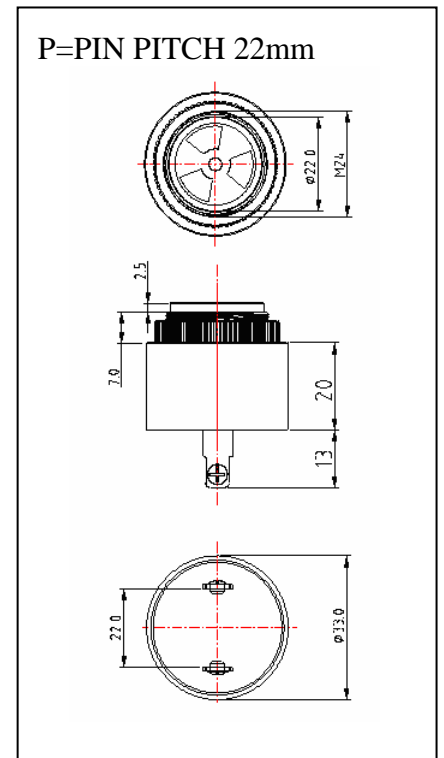
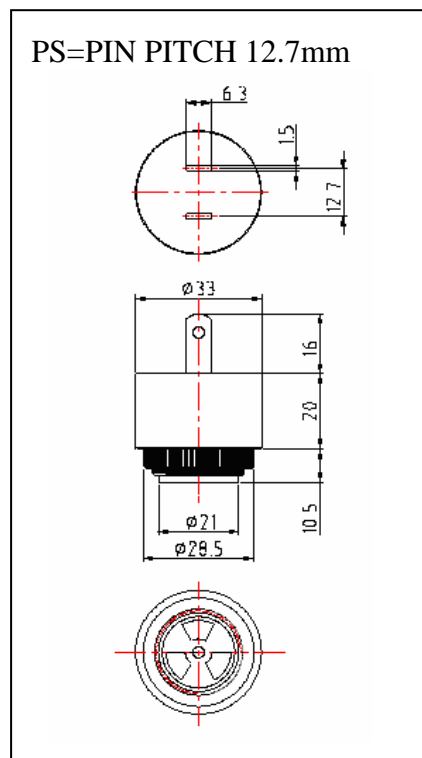
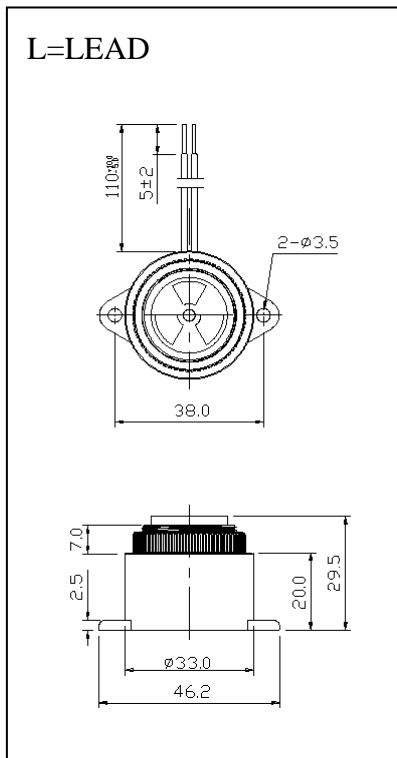
B54 SERIES



FEATURES:

- Piezo sounder
- Low current consumption
- Panel mounted
- Operating temperature -20°C --+ 70°C
- Storage temperature -30°C --+ 70°C

DIMENSIONS: (unit: mm)



SPECIFICATIONS:

Model No.	Operating Voltage	Rated Voltage (VDC)	Max. Current at Rated Voltage (mA)	Frequency (kHz)	Min. Sound Pressure at Rated Voltage (dBA/30cm)	Pulse Rate at Rated Voltage (Pulse/Sec)	Tone	Terminal
B54S3120	3-16VDC	12VDC	10	3.5±0.5	90	NIL	SINGLE	L/P/PS
B54S3240	3-32VDC	24VDC	10	3.5±0.5	90	NIL	SINGLE	L/P/PS
B54S31100	30-140VAC	110VAC	10	3.5±0.5	90	NIL	SINGLE	L/P/PS
B54S32400	60-250VAC	240VAC	10	3.5±0.5	90	NIL	SINGLE	L/P/PS
B54PN3120	3-16VDC	12VDC	20	3.5±0.5	90	0.8~2.0	PULSE	L/P/PS
B54PN3240	3-32VDC	24VDC	20	3.5±0.5	90	0.8~2.0	PULSE	L/P/PS