

ECHO-PIEZO BUZZER

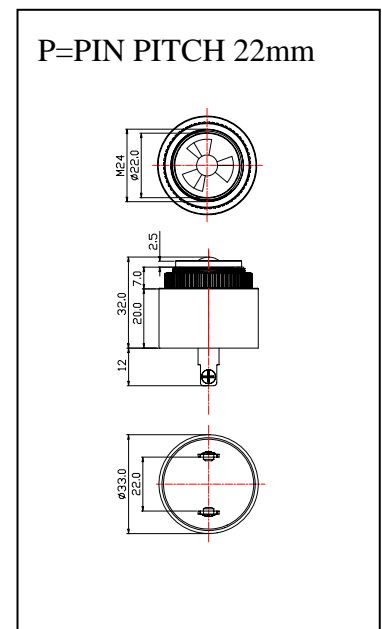
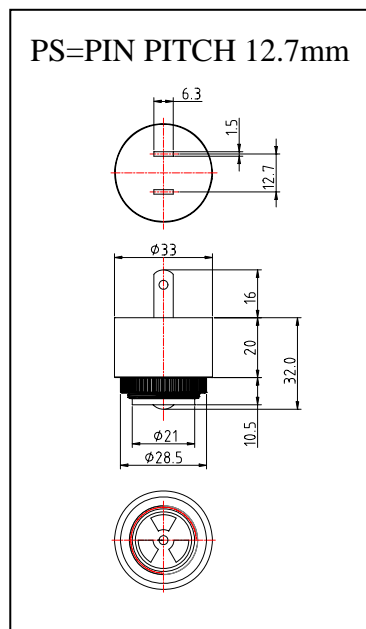
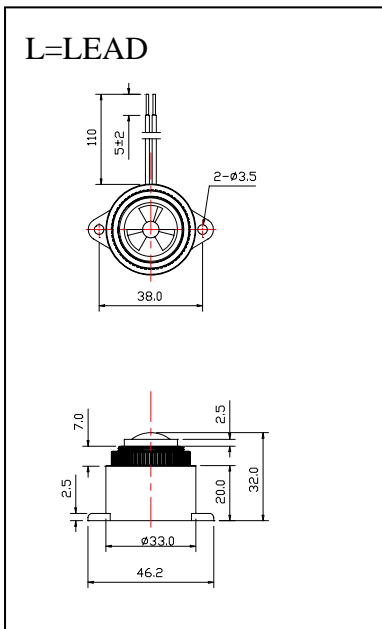
B53 SERIES



FEATURES:

- Piezo sounder
- Low current consumption
- Panel mounted
- Sound adjustable cover
- Operating temperature -20°C --- $+70^{\circ}\text{C}$
- Storage temperature -30°C --- $+70^{\circ}\text{C}$

DIMENSIONS: (unit: mm)



SPECIFICATIONS:

Model No.	Operating Voltage	Rated Voltage	Max. Current at Rated Voltage (mA)	Frequency (kHz)	Min. Sound Pressure at Rated Voltage (dBA/30cm)	Pulse Rate at Rated Voltage (Pulse/Sec)	Tone	Terminal
B53S3120	3-16VDC	12VDC	10	3.5±0.5	90	NIL	SINGLE	L/P/PS
B53S3240	3-32VDC	24VDC	10	3.5±0.5	90	NIL	SINGLE	L/P/PS
B53S30120	9-16VAC	12VAC	20	3.5±0.5	90	NIL	SINGLE	L/P/PS
B53S30240	16-32VAC	24VAC	20	3.5±0.5	90	NIL	SINGLE	L/P/PS
B53S31100	30-140VAC	110VAC	10	3.5±0.5	90	NIL	SINGLE	L/P/PS
B53S32400	60-250VAC	240VAC	10	3.5±0.5	90	NIL	SINGLE	L/P/PS
B53PN3120	3-16VDC	12VDC	20	3.5±0.5	90	0.8~2.0	PULSE	L/P/PS
B53PN3240	3-32VDC	24VDC	20	3.5±0.5	90	0.8~2.0	PULSE	L/P/PS
B53PN31100	30-140VAC	110VAC	20	3.5±0.5	90	0.8~2.0	PULSE	L/P/PS