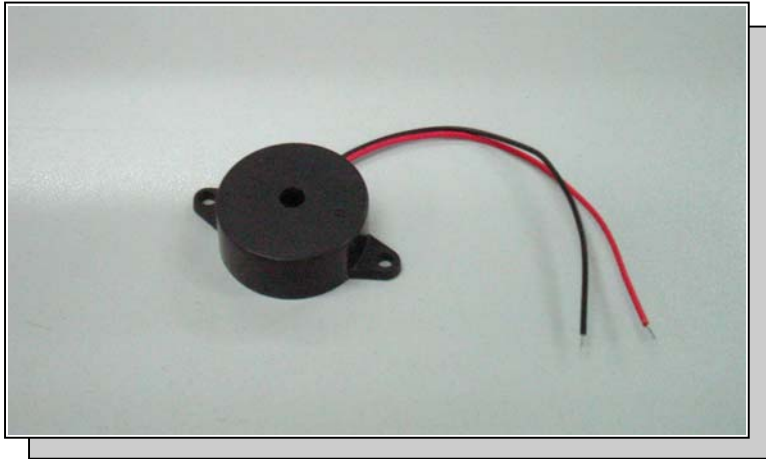


ECHO-PIEZO BUZZER

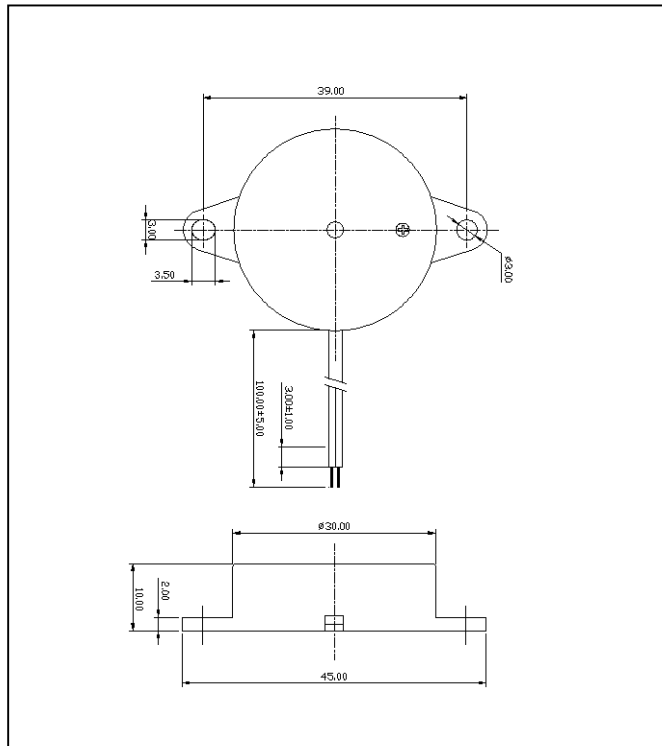
B36 SERIES



FEATURES:

- Medium to loud sound output
- Low current consumption
- Extremely durable & long life
- Multi-tone
- Screw mounting
- Operating temperature -20°C --- $+70^{\circ}\text{C}$
- Storage temperature -30°C --- $+70^{\circ}\text{C}$

DIMENSIONS: (unit: mm)

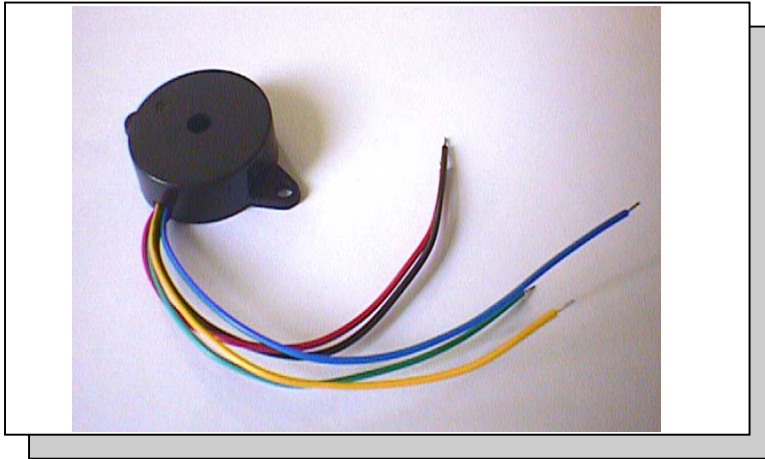


SPECIFICATIONS:

Model No.	Operating Voltage (VDC)	Rated Voltage (VDC)	Max. Current at Rated Voltage (mA)	Frequency (kHz)	Min. Sound Pressure at Rated Voltage (dBA/30cm)	Pulse Rate at Rated Voltage (Pulse/Sec)	Tone	Terminal
B36S3120	3-28	12	20	3.0±0.5	90	/	SINGLE	LEAD/PIN
B36PF3120	3-28	12	20	3.2±0.5	90	1-3	PULSE	LEAD/PIN
B36PN3120	3-28	12	20	3.2±0.5	90	0.6-2	PULSE	LEAD/PIN
B36T3120	6-15	12	20	(2.0-3.2)±0.5	90	1-5	TWO	LEAD/PIN
B36T3240	16-28	24	20	(2.0-3.2)±0.5	90	1-5	TWO	LEAD/PIN

ECHO-PIEZO BUZZER

B36 SERIES

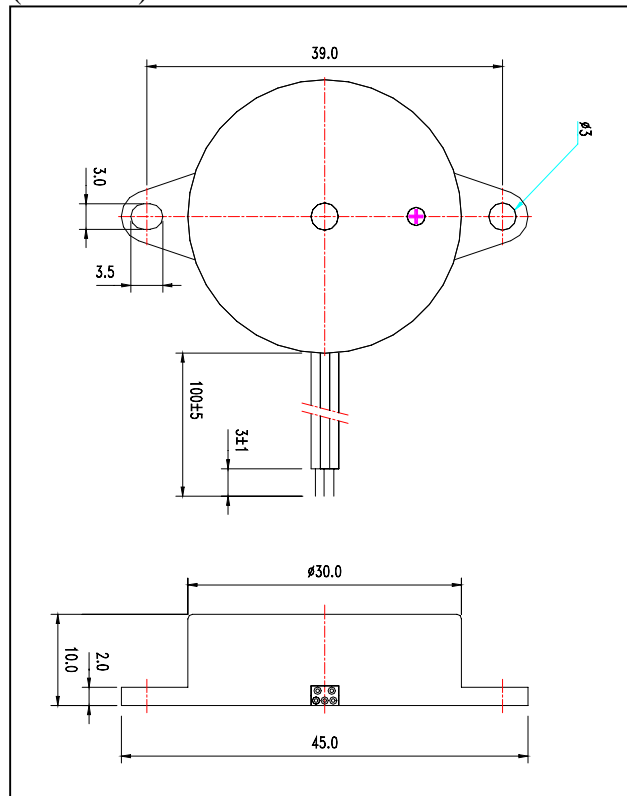


FEATURES:

- Medium to loud sound output
- Low current consumption
- Extremely durable & long life
- Multi-tone
- Operating temperature -20°C --- $+70^{\circ}\text{C}$
- Storage temperature -30°C --- $+70^{\circ}\text{C}$

DIMENSIONS:

(unit: mm)



SPECIFICATIONS:

Model No.	Operating Voltage (VDC)	Rated Voltage (VDC)	Max. Current at Rated Voltage (mA)	Frequency (kHz)	Min. Sound Pressure at Rated Voltage (dBA/30cm)	Pulse Rate at Rated Voltage (Pulse/Sec)	Tone	Terminal
B36D3120	6-15	12	20	3.2±0.5	85/85/90	Tone selection	S/P/T	LEAD

WIRE CONNECT:

1. RED WIRE CONNECT TO (+),BLACK WIRE CONNECT TO (-)
2. TONE SELECT:
 - SINGEL-TONE: ALL OPEN(YELLOW,BLUE,GREEN NOT CONNECT)
 - PULSE-TONE: YELLOW CONNECT TO BLUE
 - TWO-TONE: YELLOW CONNECT TO GREEN