

ECHO-PIEZO BUZZER

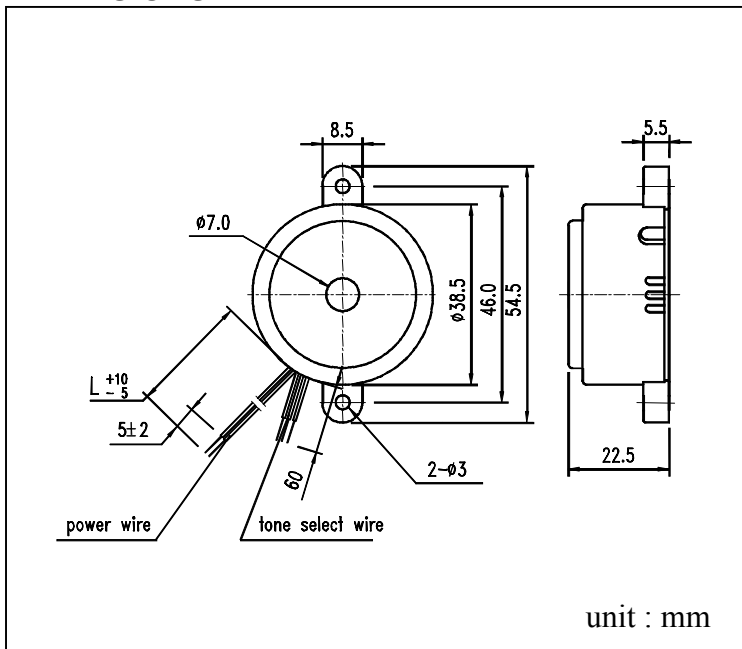
B17 SERIES



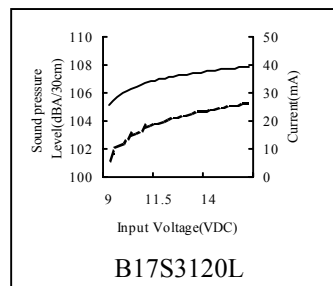
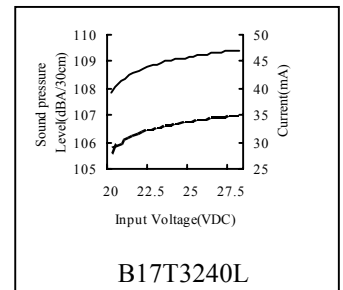
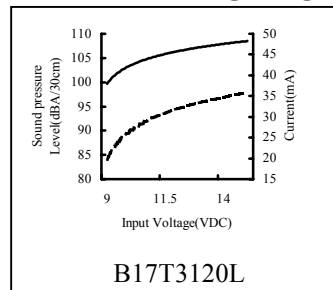
FEATURES:

- Piezo sounder
- Multi-tone
- Loud output
- Screw mounting with leadwire
- Operating temperature -20°C -- $+70^{\circ}\text{C}$
- Storage temperature -30°C -- $+70^{\circ}\text{C}$

DIMENSIONS:



CHARACTERISTICS:



Remark: ——— Pressure level ----- Current

L= 140mm,standard (changes as your request)

SPECIFICATIONS:

Model No.	Operating Voltage (VDC)	Rated Voltage (VDC)	Max. Current at Rated Voltage (mA)	Frequency (kHz)	Min. Sound Pressure at Rated Voltage (dBA/30cm)	Pulse Rate at Rated Voltage (Pulse/Sec)	Tone	Terminal
B17S3120L	9-15	12	40	2.9±0.5	105	NIL	SINGLE	LEAD
B17T3120L	9-15	12	40	(2.6-2.8)±0.5	105	NIL	TWO	LEAD
B17T3240L	20-28	24	50	(2.6-2.8)±0.5	105	NIL	TWO	LEAD
B17D3120L	6-15	12	80	(2.6-2.8)±0.5	105	Tone selection	S/P/R	LEAD