

ECHO-MAGNETIC BUZZER

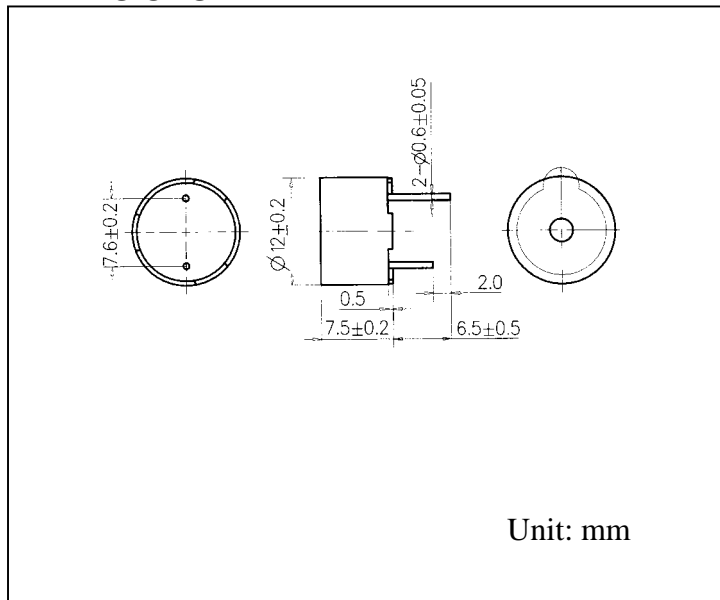
B60 SERIES



FEATURES:

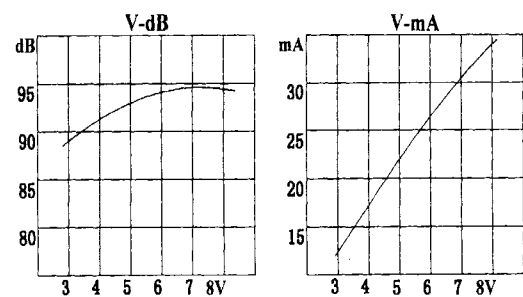
- Ultra small size
- Low current consumption
- Extremely durable
- Long life
- Operating temperature -20°C --- $+70^{\circ}\text{C}$
- Storage temperature -30°C --- $+70^{\circ}\text{C}$

DIMENSIONS:



CHARACTERISTICS:

Typical curve of type B60S3050P



SPECIFICATIONS:

Model No.	Operating Voltage (VDC)	Rated Voltage (VDC)	Max. Current at Rated Voltage (mA)	Frequency (kHz)	Min. Sound Pressure at Rated Voltage (dBA/10cm)	Pulse Rate at Rated Voltage (Pulse/Sec)	Tone	Terminal
B60S3015P	1.4-2	1.5	25	3.1 ± 0.5	75	NIL	SINGLE	PIN
B60S3030P	2-5	3	30	3.1 ± 0.5	82	NIL	SINGLE	PIN
B60S3050P	3-7	5	30	3.1 ± 0.3	83	NIL	SINGLE	PIN
B60S3120P	9-15	12	30	3.1 ± 0.3	83	NIL	SINGLE	PIN

ECHO-MAGNETIC BUZZER

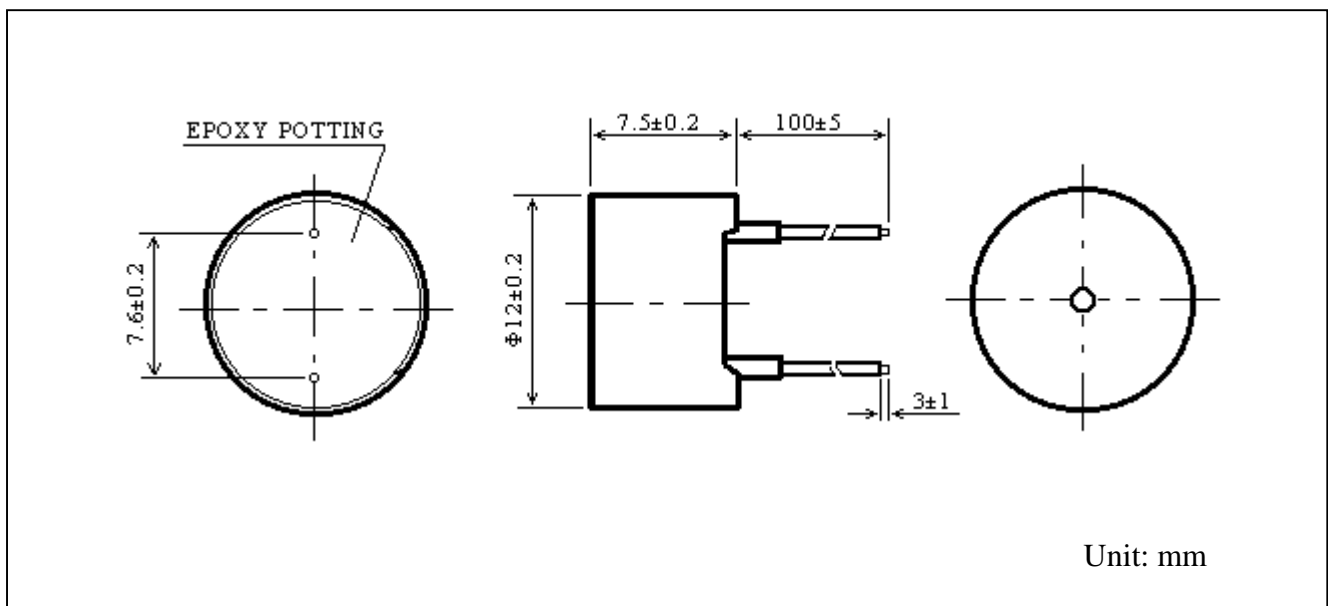
B60 SERIES



FEATURES:

- Ultra small size
- Low current consumption
- Extremely durable
- Long life
- Operating temperature -20°C --+ 70°C
- Storage temperature -30°C --+ 70°C

DIMENSIONS:



SPECIFICATIONS:

Model No.	Operating Voltage (VDC)	Rated Voltage (VDC)	Max. Current at Rated Voltage (mA)	Frequency (kHz)	Min. Sound Pressure at Rated Voltage (dBA/10cm)	Pulse Rate at Rated Voltage (Pulse/Sec)	Tone	Terminal
B60S3015L	1.4-2	1.5	25	3.1 ±0.5	75	NIL	SINGLE	LEAD
B60S3030L	2-5	3	30	3.1 ±0.5	82	NIL	SINGLE	LEAD
B60S3050L	3-7	5	30	3.1 ±0.3	83	NIL	SINGLE	LEAD
B60S3120L	9-15	12	30	3.1 ±0.3	83	NIL	SINGLE	LEAD