

# ECHO-MAGNETIC BUZZER

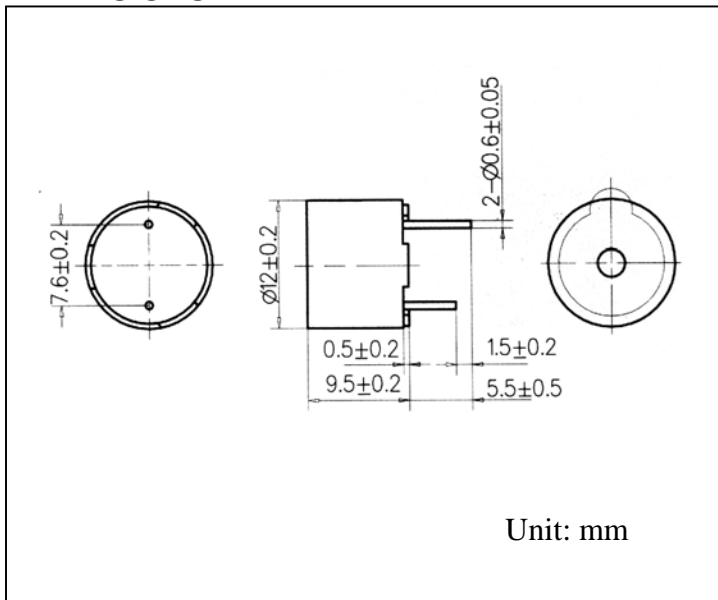
B26 SERIES



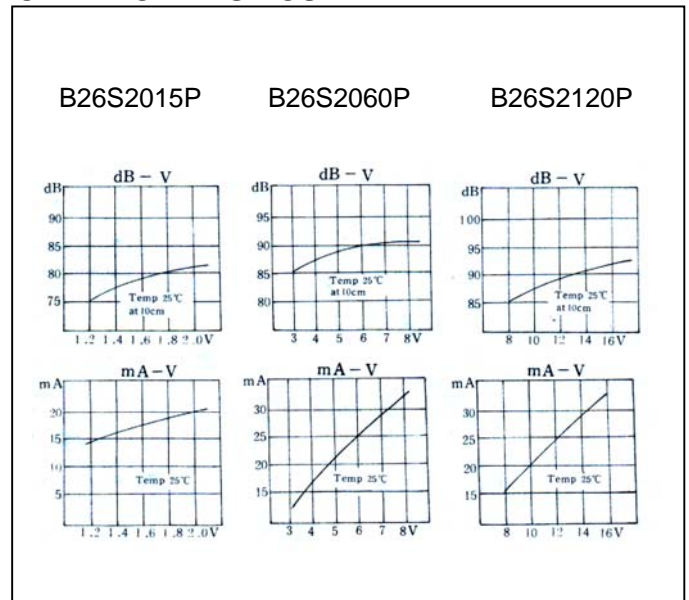
## FEATURES:

- Ultra small size
- Low current consumption
- Extremely durable
- Long life
- Operating temperature  $-20^{\circ}\text{C}$ --- $+70^{\circ}\text{C}$
- Storage temperature  $-30^{\circ}\text{C}$ --- $+70^{\circ}\text{C}$

## DIMENSIONS:



## CHARACTERISTICS:



## SPECIFICATIONS:

Model No.	Operating Voltage (VDC)	Rated Voltage (VDC)	Max. Current at Rated Voltage (mA)	Frequency (kHz)	Min. Sound Pressure at Rated Voltage (dBA/10cm)	Pulse Rate at Rated Voltage (Pulse/Sec)	Tone	Terminal
B26S2015P	1.3-2	1.5	20	2.3±0.4	75	NIL	SINGLE	PIN
B26S2030P	2-5	3	30	2.3±0.4	82	NIL	SINGLE	PIN
B26S2060P	4-7	6	30	2.3±0.3	85	NIL	SINGLE	PIN
B26S2090P	7-11	9	30	2.3±0.3	85	NIL	SINGLE	PIN
B26S2120P	8-15	12	30	2.3±0.3	85	NIL	SINGLE	PIN

# ECHO-MAGNETIC BUZZER

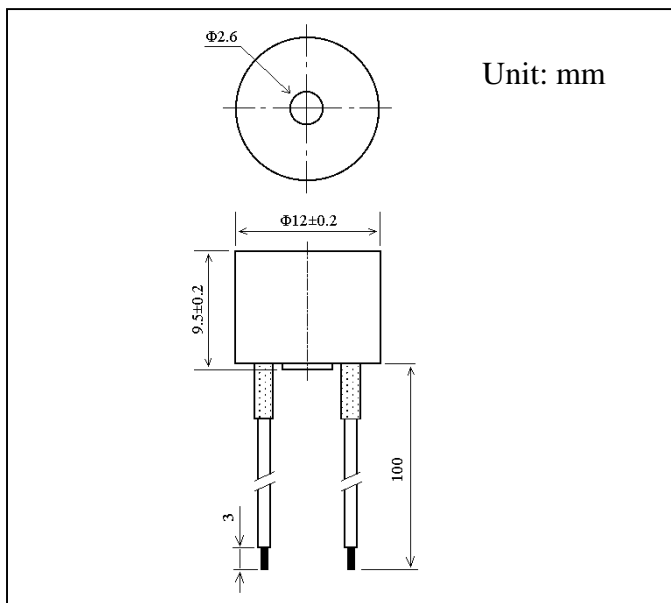
B26 SERIES



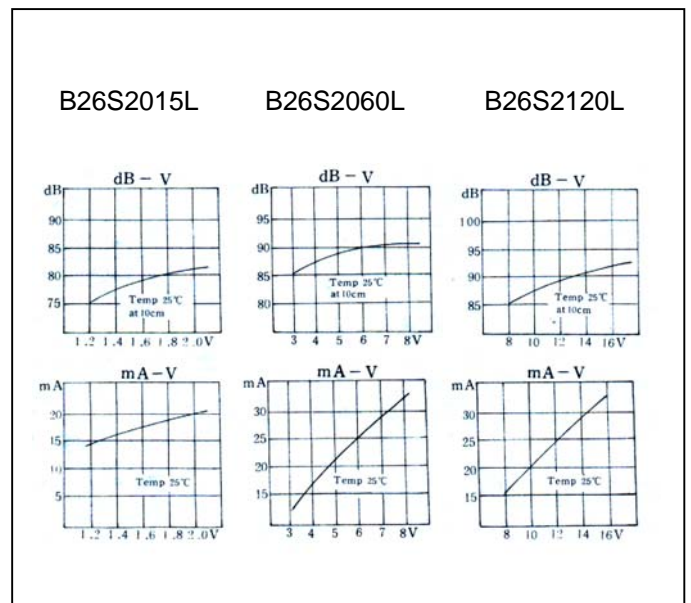
## FEATURES:

- Ultra small size
- Low current consumption
- Extremely durable
- Long life
- Operating temperature  $-20^{\circ}\text{C}$ --- $+70^{\circ}\text{C}$
- Storage temperature  $-30^{\circ}\text{C}$ --- $+70^{\circ}\text{C}$

## DIMENSIONS:



## CHARACTERISTICS:



## SPECIFICATIONS:

Model No.	Operating Voltage (VDC)	Rated Voltage (VDC)	Max. Current at Rated Voltage (mA)	Frequency (kHz)	Min. Sound Pressure at Rated Voltage (dBA/10cm)	Pulse Rate at Rated Voltage (Pulse/Sec)	Tone	Terminal
B26S2015L	1.3-2	1.5	20	2.3±0.4	75	NIL	SINGLE	LEAD
B26S2030L	2-5	3	30	2.3±0.4	82	NIL	SINGLE	LEAD
B26S2060L	4-7	6	30	2.3±0.3	85	NIL	SINGLE	LEAD
B26S2090L	7-11	9	30	2.3±0.3	85	NIL	SINGLE	LEAD
B26S2120L	8-15	12	30	2.3±0.3	85	NIL	SINGLE	LEAD