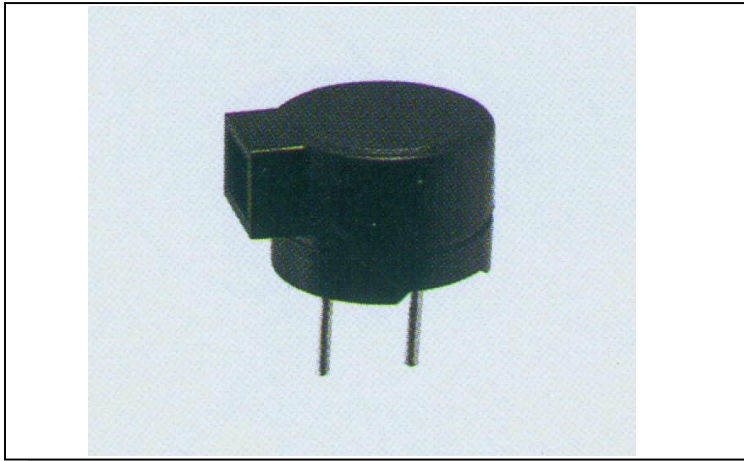


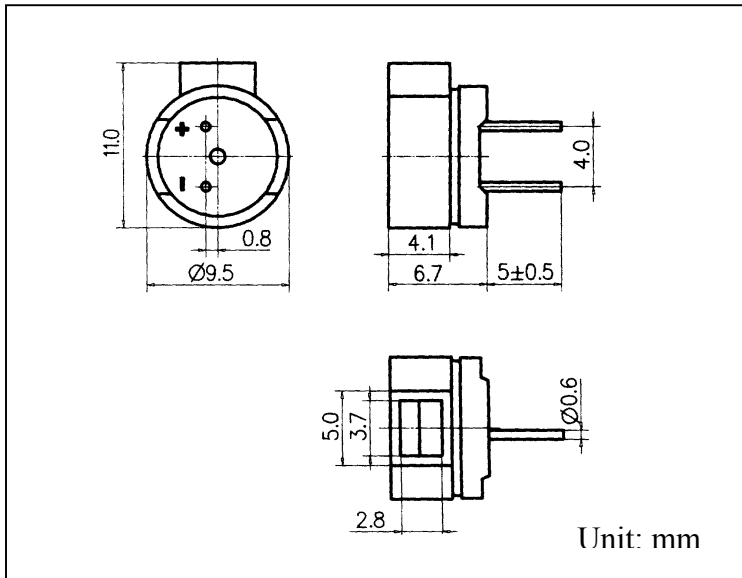
ECHO-MAGNETIC TRANSDUCER MT0967 SERIES



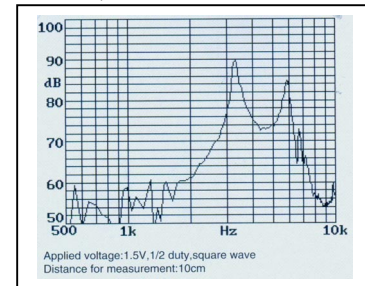
FEATURES:

- Emit a clear sound
- Small size & lightweight
- No electric noise
- Operating temperature -20°C ~ $+70^{\circ}\text{C}$
- Storage temperature -30°C ~ $+70^{\circ}\text{C}$

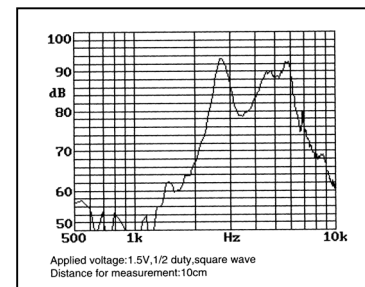
DIMENSIONS:



FREQUENCY RESPONSE:



MT0967-01



MT0967-02

SPECIFICATIONS:

Model Number	MT0967-01	MT0967-02
Rated Voltage (V)	1.5	1.5
Operating Voltage (V)	0.8~1.5	1~2
◆Max. Rated Current (mA)	80	80
Coil Resistance (Ω)	5.5 ± 1	5.5 ± 1
◆Min. Sound Output at 10cm (dB)	85	85
Resonant Frequency (Hz)	3100	2731
Operating Temperature ($^{\circ}\text{C}$)	$-20 \sim +60$	$-20 \sim +60$
Storage Temperature ($^{\circ}\text{C}$)	$-30 \sim +70$	$-30 \sim +70$
Weight (g)	1	1

◆Value applying rated voltage (resonant frequency, 1/2 duty, square wave)