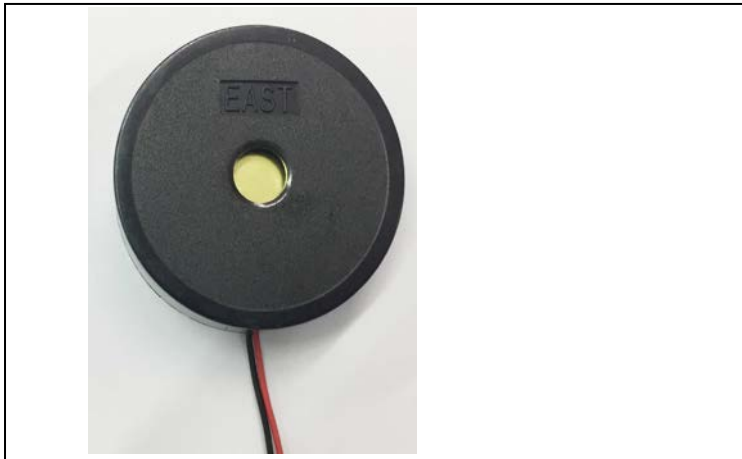


ECHO-PIEZO TRANSDUCER

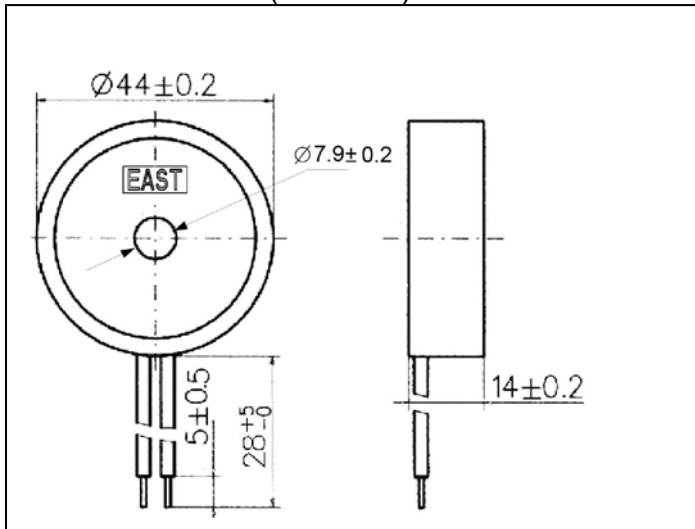
B83 SERIES



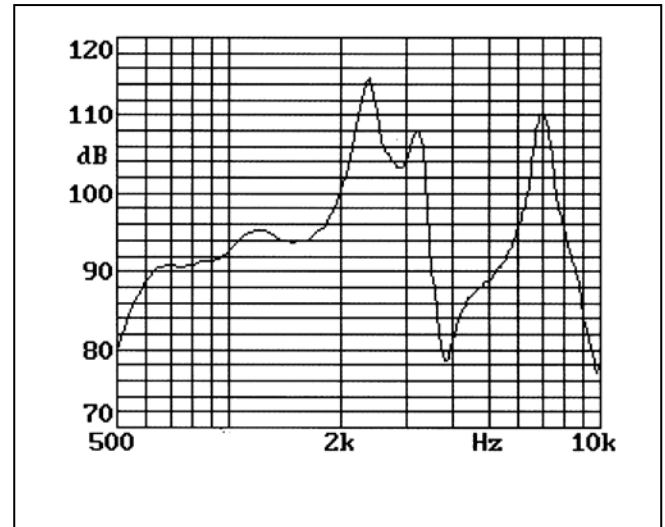
FEATURES:

- Emit a clear penetrating sound
- Low current consumption
- Extremely durable & long life
- Operating temperature -20°C ~ $+70^{\circ}\text{C}$
- Storage temperature -30°C ~ $+80^{\circ}\text{C}$

DIMENSIONS: (unit: mm)



FREQUENCY RESPONSE:



SPECIFICATIONS:

Model Number	B83B02L
Sound Pressure Level	80dBA Min at 12Vp-p/1KHz Square wave /30cm
Static Capacitance	66nF±30% at 120Hz
Input Voltage	12Vp-p /1KHz Square wave
Max. Input Voltage	40Vp-p
Current Consumption	4mA Max. at 12Vp-p/1KHz Square wave
Operating Temperature	-20°C ~ $+70^{\circ}\text{C}$
Storage Temperature	-30°C ~ $+80^{\circ}\text{C}$
Weight	10g