

ECHO-PIEZO BUZZER

B12 SERIES

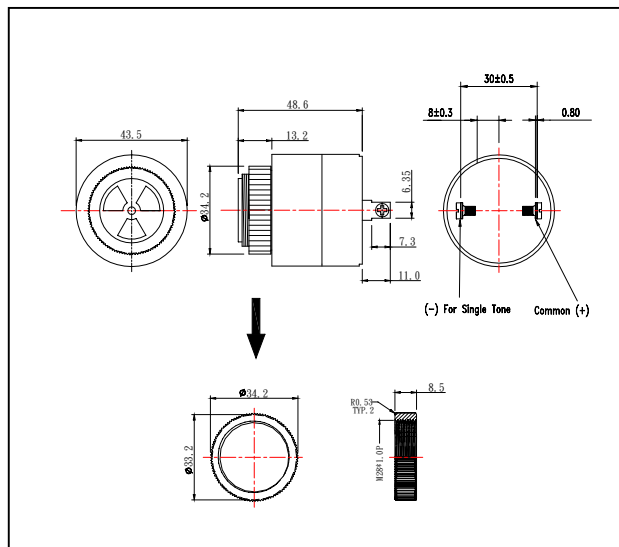


FEATURES:

- Panel mounted
- Medium to loud sound output
- Single/pulse tone
- Rigid construction
- Plate terminals
- AC Working voltage
- Operating temperature -20°C --- $+70^{\circ}\text{C}$
- Storage temperature -30°C --- $+70^{\circ}\text{C}$

DIMENSIONS:

(unit: mm)



SPECIFICATIONS:

Model No.	Operating Voltage (VAC)	Rated Voltage (VAC)	Max. Current at Rated Voltage (mA)	Frequency (kHz)	Sound Pressure at Rated Voltage (dBA/30cm)	Pulse Rate at Rated Voltage (Pulse/Sec)	Tone	Terminal
B12S31100NA	30-120	110	20	2.9±0.5	90	0	SINGLE	PLATE
B12S32400NA	55-250	240	20	3.0±0.5	90	0	SINGLE	PLATE
B12PN31100NA	30-120	110	10	2.9±0.5	80	0.8-1.2	PULSE	PLATE
B12PF31100NA	30-120	110	10	2.9±0.5	80	4-6	PULSE	PLATE
B12PN32400NA	60-250	240	10	2.9±0.5	80	0.8-1.2	PULSE	PLATE
B12PF32400NA	60-250	240	10	2.9±0.5	80	4-6	PULSE	PLATE
B12PN30240NA	13-30	24	25	2.9±0.5	90	0.8-1.2	PULSE	PLATE
B12PF30240NA	13-30	24	25	2.9±0.5	90	4-6	PULSE	PLATE