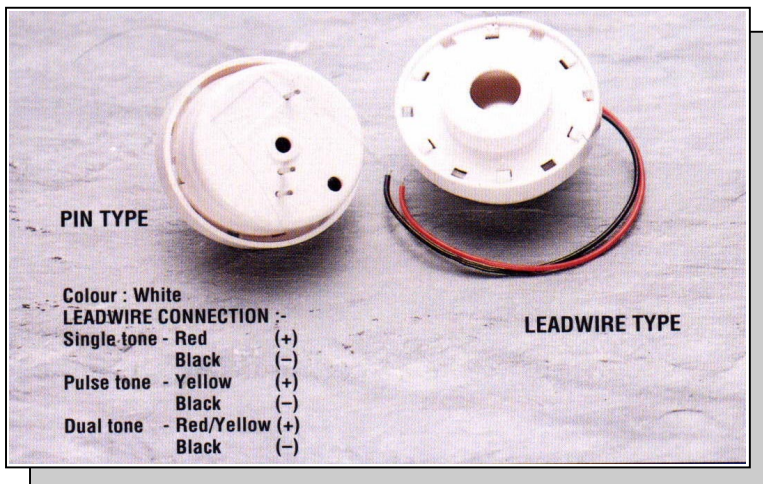


# ECHO-PIEZO BUZZER

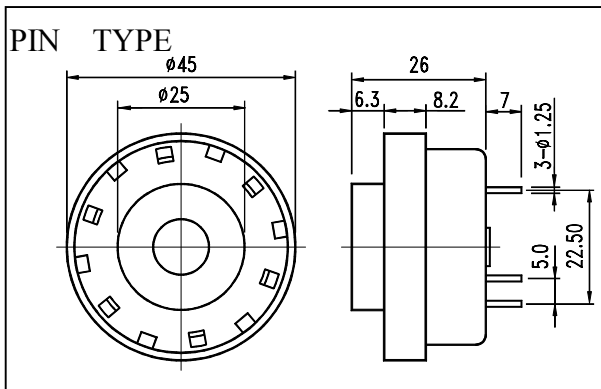
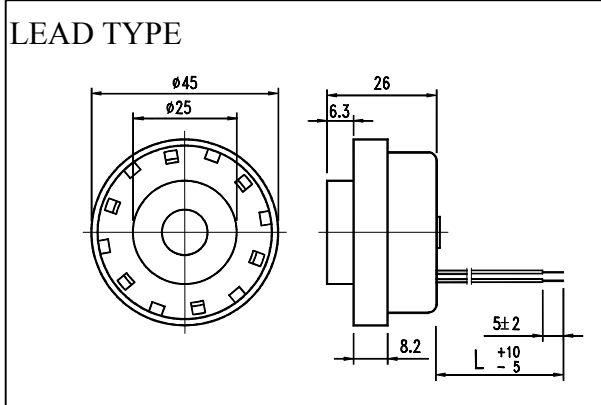
B3 SERIES



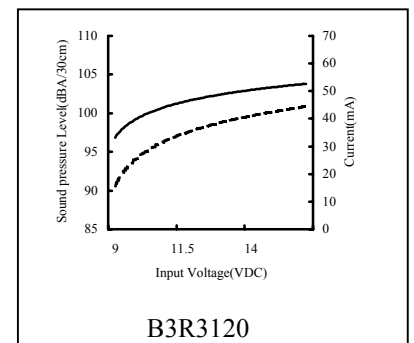
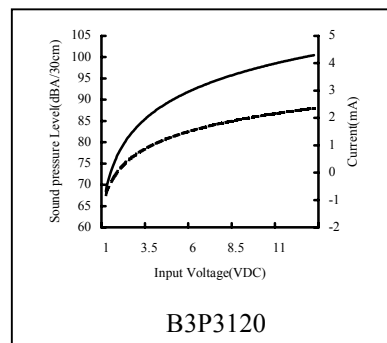
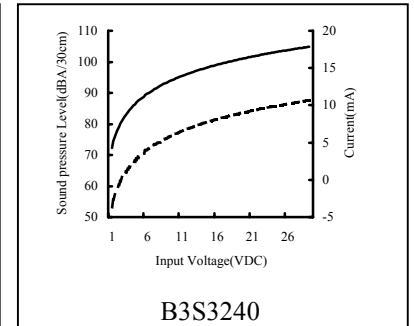
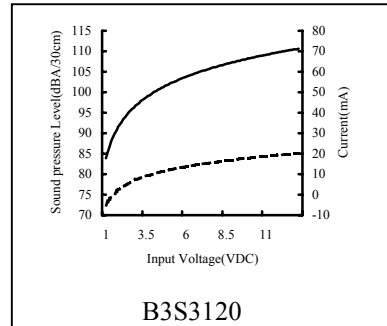
## FEATURES:

- Efficient piezo buzzer
- Single/pulse/dual tone
- Flame-retardant plastic housing
- UL approval pending
- Loud sound output
- Single-Screw/3-pin PCB mounting
- Operating temperature  $-20^{\circ}\text{C}$ -- $+70^{\circ}\text{C}$
- Storage temperature  $-30^{\circ}\text{C}$ -- $+70^{\circ}\text{C}$

## DIMENSIONS: (unit: mm)



## CHARACTERISTICS:



Remark: ——— Pressure level      - - - - - Current

L=120mm, standard(changes as your request)

## SPECIFICATIONS:

Model No.	Operating Voltage (VDC)	Rated Voltage (VDC)	Max. Current at Rated Voltage (mA)	Frequency (kHz)	Min. Sound Pressure at Rated Voltage (dBA/30cm)	Pulse Rate at Rated Voltage (Pulse/Sec)	Tone	Terminal
B3S3120	1.5-15	12	35	$2.9 \pm 0.5$	105	NIL	SINGLE	LEAD/PIN
B3S3240	1.5-28	24	20	$2.9 \pm 0.5$	100	NIL	SINGLE	LEAD/PIN
B3P3120	1.5-13	12	20	$2.9 \pm 0.5$	100	2-7	PULSE	LEAD/PIN
B3D3120	1.5-13	12	35/20	$2.9 \pm 0.5$	105/100	2-7	PULSE/SINGLE	3 LEADS
B3R3120	9-15	12	35	$3.2 \pm 0.5$	100	NIL	SIREN	LEAD