

# ECHO-PIEZO BUZZER

## B12 SERIES

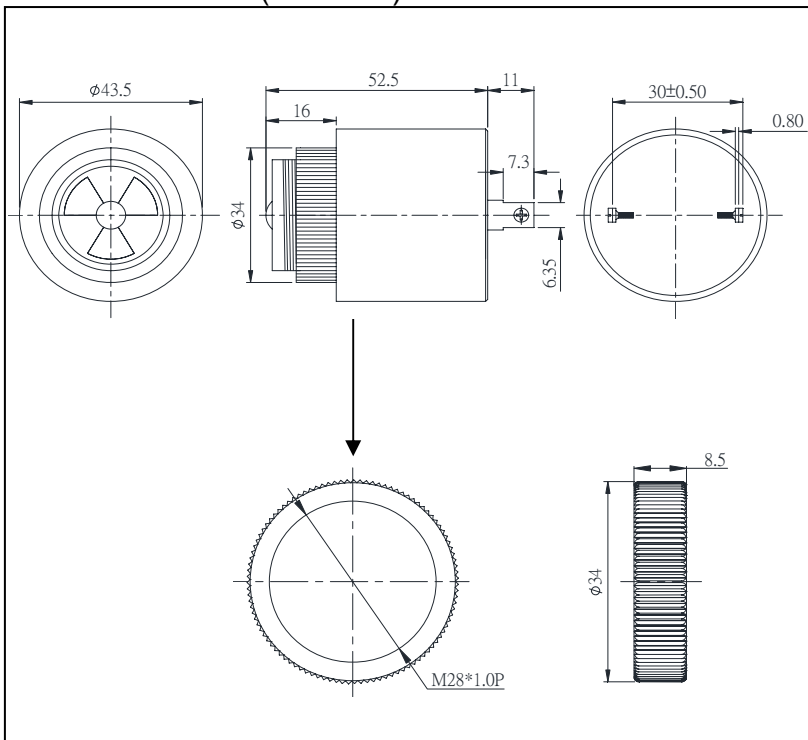
Colour:Black  
 Case,Nut-ABS(PA-765)  
 Bottom sealed with  
 polymeric resin/Plastic bottom cover  
 Terminals-0.8mm brass tin plated,  
 tapped for  
 M3.5×0.6 pitch screw,Two  
 M3.5×0.6 pitch screw included will accept  
 6.35mm quick disconnect  
 PCB mounting also available



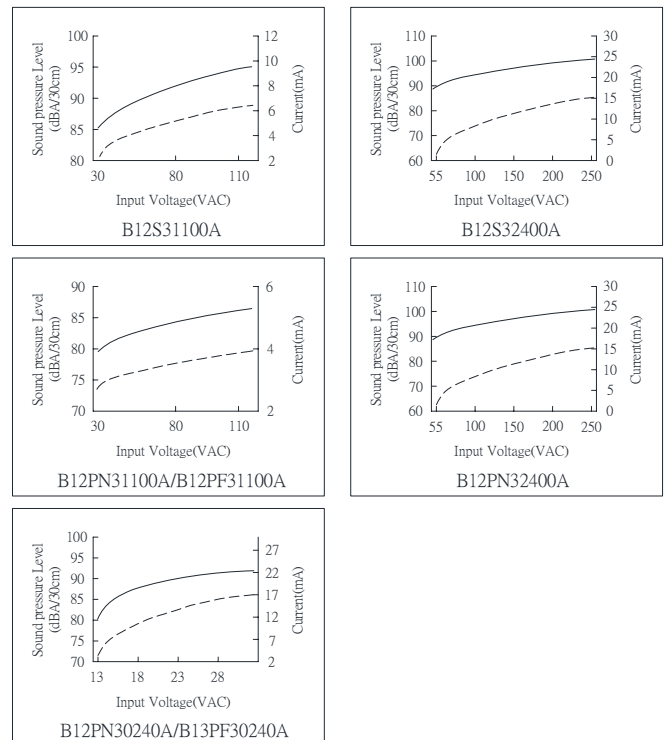
### FEATURES:

- Panel mounted
- Single/pulse tone
- Medium loudness
- Excellent insulation
- Vane Volume Control(Sound adjustable)
- Working voltage:24/110/240VAC
- Operating temperature -20°C--+70°C
- Storage temperature -30°C--+70°C

### DIMENSIONS: (unit: mm)



### CHARACTERISTICS:



### SPECIFICATIONS:

Model No.	Operating Voltage (VAC)	Rated Voltage (VAC)	Max.Current at Rated Voltage(mA)	Frequency (kHz)	Max.Sound Pressure at Rated Voltage (dBA/30cm) Vane Volume Control Open	Pulse Rate at Rated Voltage (Pulse/Sec)	Tone	Terminal
B12S31100A	30-120	110	20	2.9±0.5	90	0	SINGLE	PLATE
B12S32400A	55-250	240	20	3.0±0.5	90	0	SINGLE	PLATE
B12PN30240A	13-30	24	25	2.2-2.7	90	0.8-1.2	PULSE	PLATE
B12PN31100A	30-120	110	10	2.9±0.5	80	0.8-1.2	PULSE	PLATE
B12PN32400A	60-250	240	10	2.9±0.5	80	0.8-1.2	PULSE	PLATE
B12PF31100A	30-120	110	10	2.9±0.5	80	4-6	PULSE	PLATE
B12PF30240A	13-30	24	25	2.9±0.5	90	4-6	PULSE	PLATE

Remark: A=Sound adjustable

# ECHO-PIEZO BUZZER

## B12 SERIES

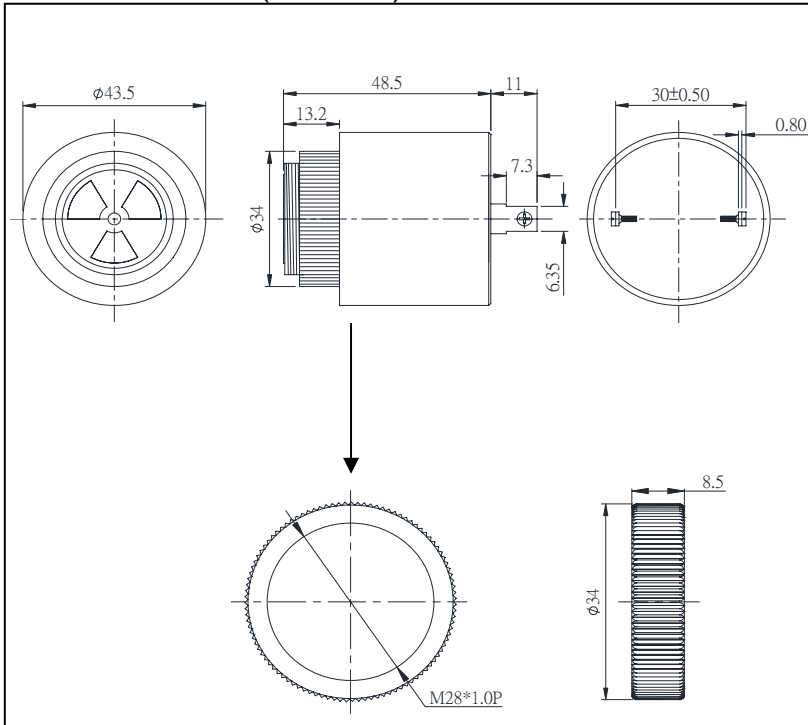
Colour:Black  
 Case,Nut-ABS(PA-765)  
 Bottom sealed with  
 polymeric resin/Plastic bottom cover  
 Terminals-0.8mm brass tin plated,  
 tapped for  
 M3.5×0.6 pitch screw,Two  
 M3.5×0.6 pitch screw included will accept  
 6.35mm quick disconnect  
 PCB mounting also available



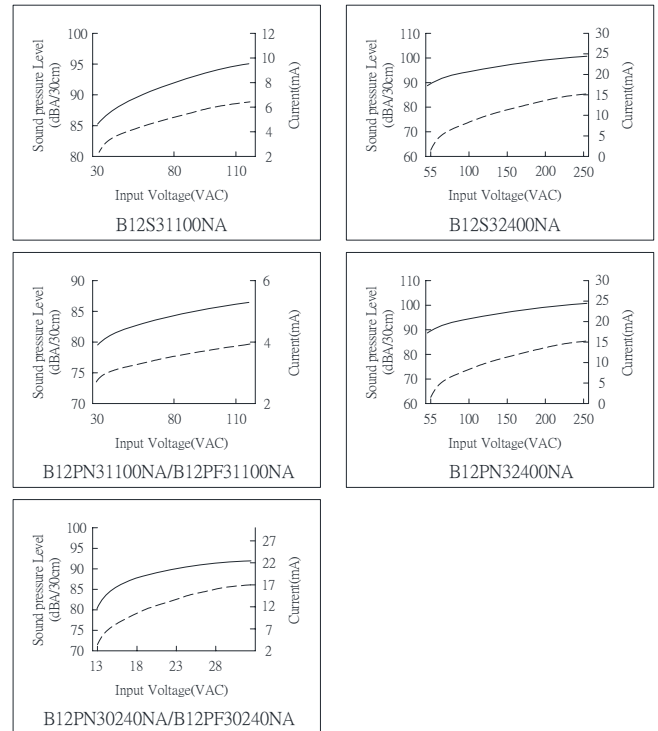
### FEATURES:

- Panel mounted
- Single/pulse tone
- Medium loudness
- Excellent insulation
- Working voltage:24/110/240VAC
- Operating temperature -20°C--+70°C
- Storage temperature -30°C--+70°C

### DIMENSIONS: (unit: mm)



### CHARACTERISTICS:



Remark: ——— Pressure level - - - - - Current

### SPECIFICATIONS:

Model No.	Operating Voltage (VAC)	Rated Voltage (VAC)	Max.Current at Rated Voltage(mA)	Frequency (kHz)	Min.Sound Pressure at Rated Voltage (dBA/30cm)	Pulse Rate at Rated Voltage (Pulse/Sec)	Tone	Terminal
B12S31100NA	30-120	110	20	2.9±0.5	90	0	SINGLE	PLATE
B12S32400NA	55-250	240	20	3.0±0.5	90	0	SINGLE	PLATE
B12PN31100NA	30-120	110	10	2.9±0.5	80	0.8-1.2	PULSE	PLATE
B12PN30240NA	13-30	24	25	2.2-2.7	90	0.8-1.2	PULSE	PLATE
B12PN32400NA	60-250	240	10	2.9±0.5	80	0.8-1.2	PULSE	PLATE
B12PF31100NA	30-120	110	10	2.9±0.5	80	4-6	PULSE	PLATE
B12PF30240NA	13-30	24	25	2.3-2.9	90	4-6	PULSE	PLATE

Remark: NA=Sound without adjustable