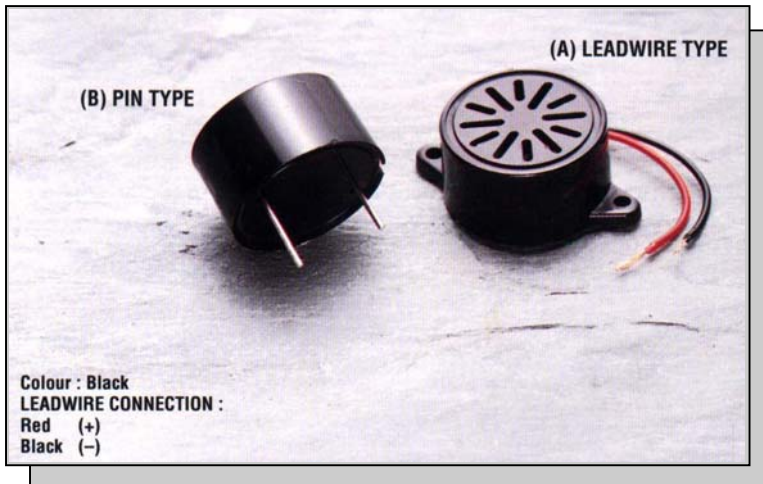


ECHO-MAGNETIC BUZZER

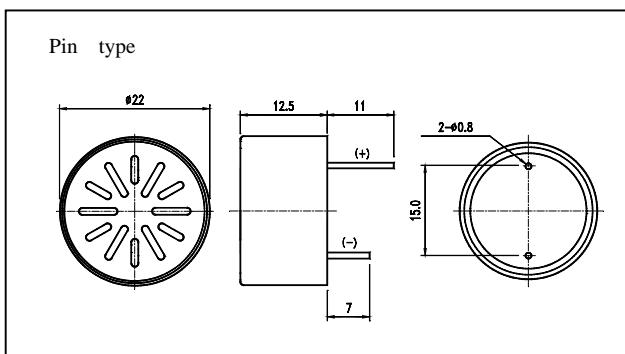
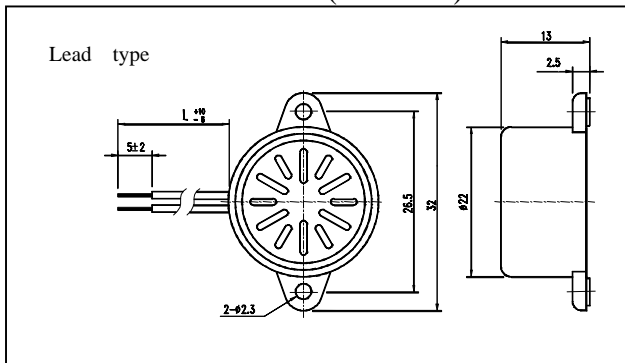
B9 SERIES



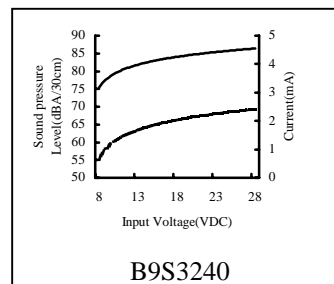
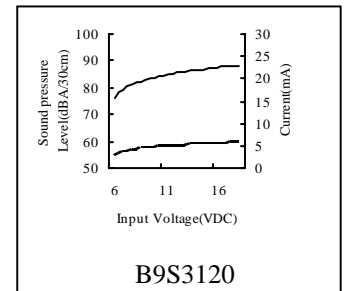
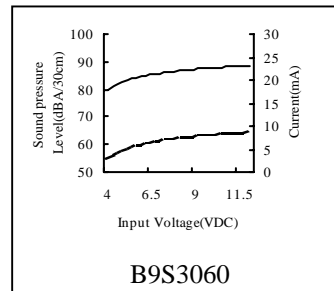
FEATURES:

- Contactless vibration
- General purpose(12 VDC)
- FCC-approved phone ringer (24VDC)
- Single tone
- Medium loudness
- Screw/PCB mounting
- Operating temperature -20°C --- $+70^{\circ}\text{C}$
- Storage temperature -30°C --- $+70^{\circ}\text{C}$

DIMENSIONS: (unit: mm)



CHARACTERISTICS:



Remark: ——— Pressure level ----- Current

L=80mm, standard (changes as your request)

SPECIFICATIONS:

Model No.	Operating Voltage (VDC)	Rated Voltage (VDC)	Max. Current at Rated Voltage (mA)	Frequency (kHz)	Min. Sound Pressure at Rated Voltage (dBA/30cm)	Pulse Rate at Rated Voltage (Pulse/Sec)	Tone	Terminal
B9S3060	4-12	6	8	3.4±0.5	80	NIL	SINGLE	LEAD/PIN
B9S3120	6-16	12	10	3.4±0.5	80	NIL	SINGLE	LEAD/PIN
B9S3150	6-24	15	10	3.4±0.5	80	NIL	SINGLE	LEAD/PIN
B9S3240	8-28	24	8	3.4±0.5	83	NIL	SINGLE	LEAD/PIN