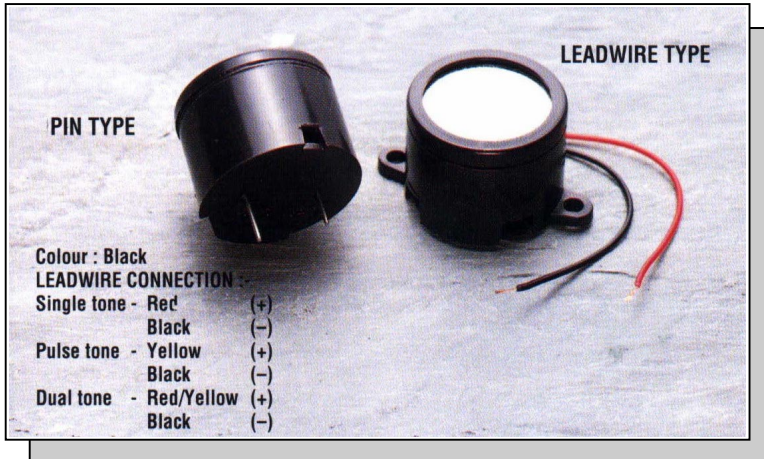


ECHO-MAGNETIC BUZZER

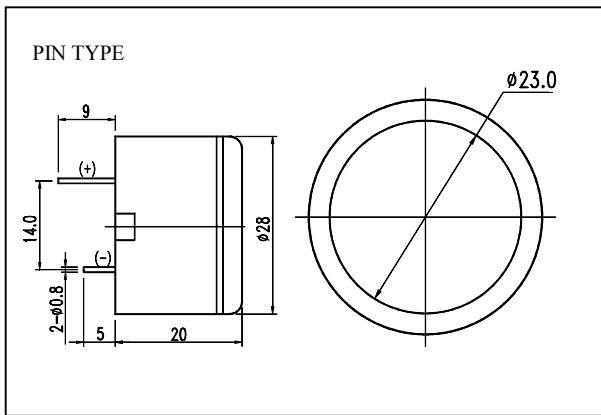
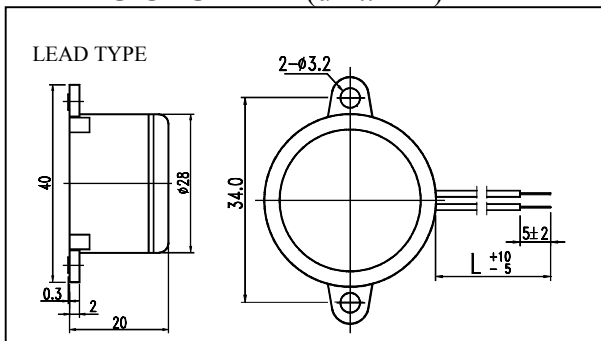
B2 SERIES



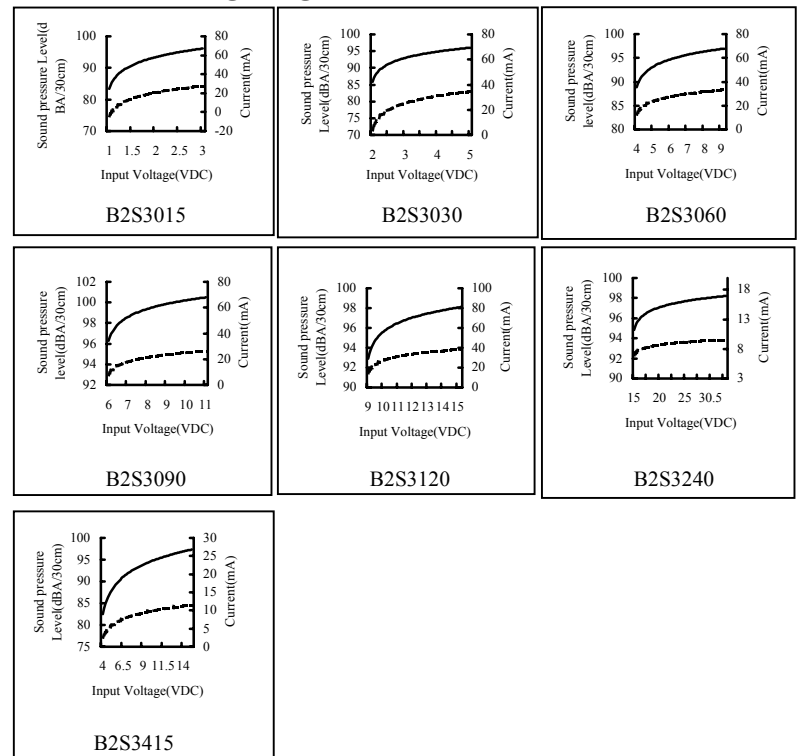
FEATURES:

- Multi-tone magnetic buzzer
- Contactless vibration
- Single/pulse/dual tone
- Medium to loud sound output
- Screw/PCB mounting
- Operating temperature -20°C -- $+70^{\circ}\text{C}$
- Storage temperature -30°C -- $+70^{\circ}\text{C}$

DIMENSIONS: (unit: mm)



CHARACTERISTICS:



Remark: ——— Pressure level - - - - - Current

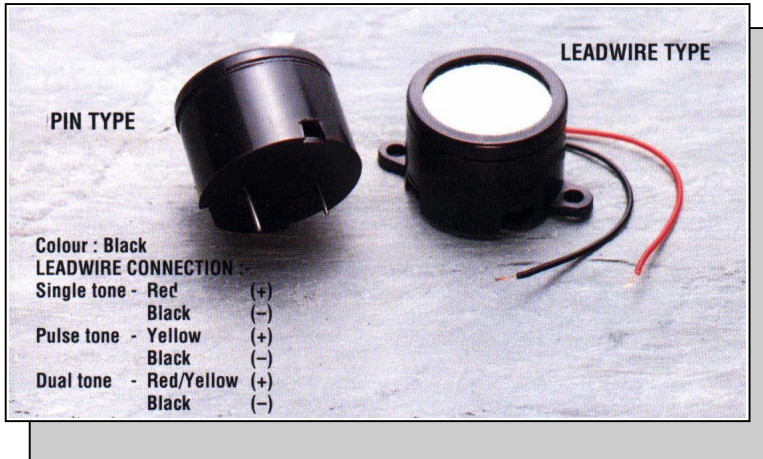
L=110mm, standard (changes as your request)

SPECIFICATIONS:

Model No.	Operating Voltage (VDC)	Rated Voltage (VDC)	Max. Current at Rated Voltage (mA)	Frequency (kHz)	Min. Sound Pressure at Rated Voltage (dBA/30cm)	Pulse Rate at Rated Voltage (Pulse/Sec)	Tone	Terminal
B2S3015	1-3	1.5	25	2.8 \pm 0.3	80	NIL	SINGLE	LEAD/PIN
B2S3030	2-5	3	35	2.8 \pm 0.3	85	NIL	SINGLE	LEAD/PIN
B2S3060	4-9	6	35	2.8 \pm 0.3	90	NIL	SINGLE	LEAD/PIN
B2S3090	6-11	9	40	2.8 \pm 0.3	90	NIL	SINGLE	LEAD/PIN
B2S3120	9-15	12	40	2.8 \pm 0.3	95	NIL	SINGLE	LEAD/PIN
B2S3240	15-28	24	25	2.8 \pm 0.3	95	NIL	SINGLE	LEAD/PIN
B2S3415	4-15	12	15	2.8 \pm 0.3	90	NIL	SINGLE	LEAD/PIN

ECHO-MAGNETIC BUZZER

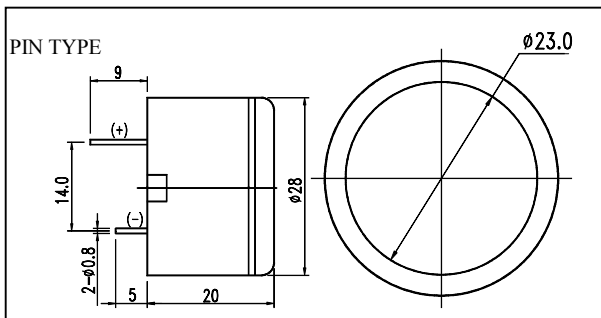
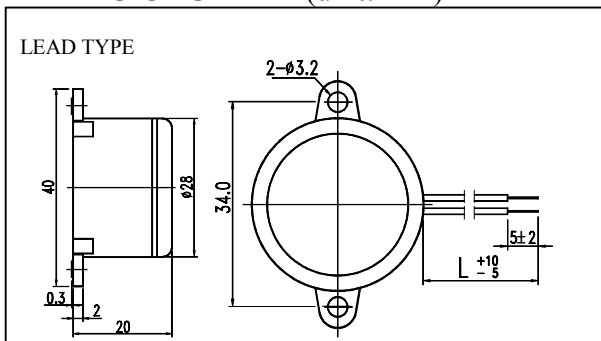
B2 SERIES



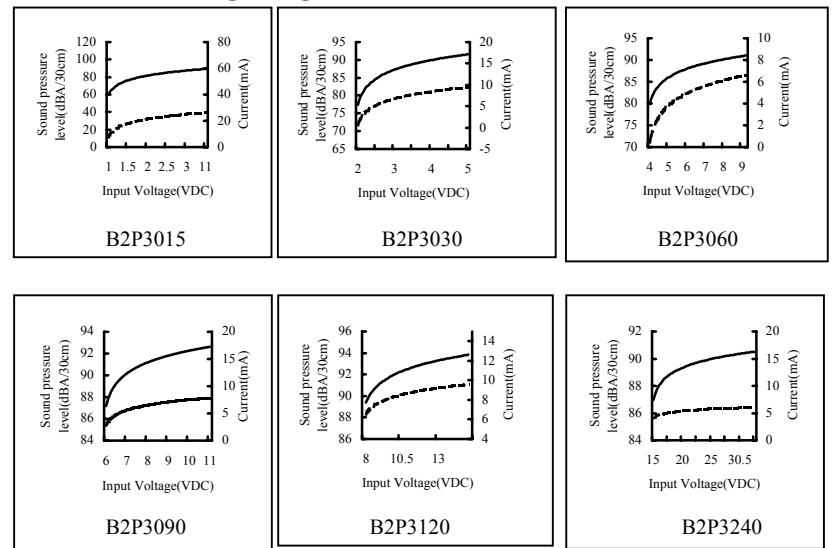
FEATURES:

- Multi-tone magnetic buzzer
- Contactless vibration
- Single/pulse/dual tone
- Medium to loud sound output
- Screw/PCB mounting
- Operating temperature -20°C -- $+70^{\circ}\text{C}$
- Storage temperature -30°C -- $+70^{\circ}\text{C}$

DIMENSIONS: (unit: mm)



CHARACTERISTICS:



Remark: ——— Pressure level - - - - - Current

L=110mm, standard (changes as your request)

SPECIFICATIONS:

Model No.	Operating Voltage (VDC)	Rated Voltage (VDC)	Max. Current at Rated Voltage (mA)	Frequency (kHz)	Min. Sound Pressure at Rated Voltage (dBA/30cm)	Pulse Rate at Rated Voltage (Pulse/Sec)	Tone	Terminal
B2P3015	1-3	1.5	5	2.8±0.3	70	2-7	PULSE	LEAD/PIN
B2P3030	2-5	3	8	2.8±0.3	73	2-7	PULSE	LEAD/PIN
B2P3060	4-9	6	10	2.8±0.3	78	2-7	PULSE	LEAD/PIN
B2P3090	6-11	9	10	2.8±0.3	80	2-7	PULSE	LEAD/PIN
B2P3120	8-15	12	15	2.8±0.3	85	2-7	PULSE	LEAD/PIN
B2P3240	15-28	24	20	2.8±0.3	85	2-7	PULSE	LEAD/PIN
B2D3060	4-9	6	35/10	2.8±0.3	85/70	2-7	SINGLE/PULSE	3 LEADS
B2D3090	6-11	9	35/15	2.8±0.3	85/75	2-7	SINGLE/PULSE	3 LEADS
B2D3120	8-15	12	40/15	2.8±0.3	90/80	2-7	SINGLE/PULSE	3 LEADS